

Modello
Modèle
Model
Modell

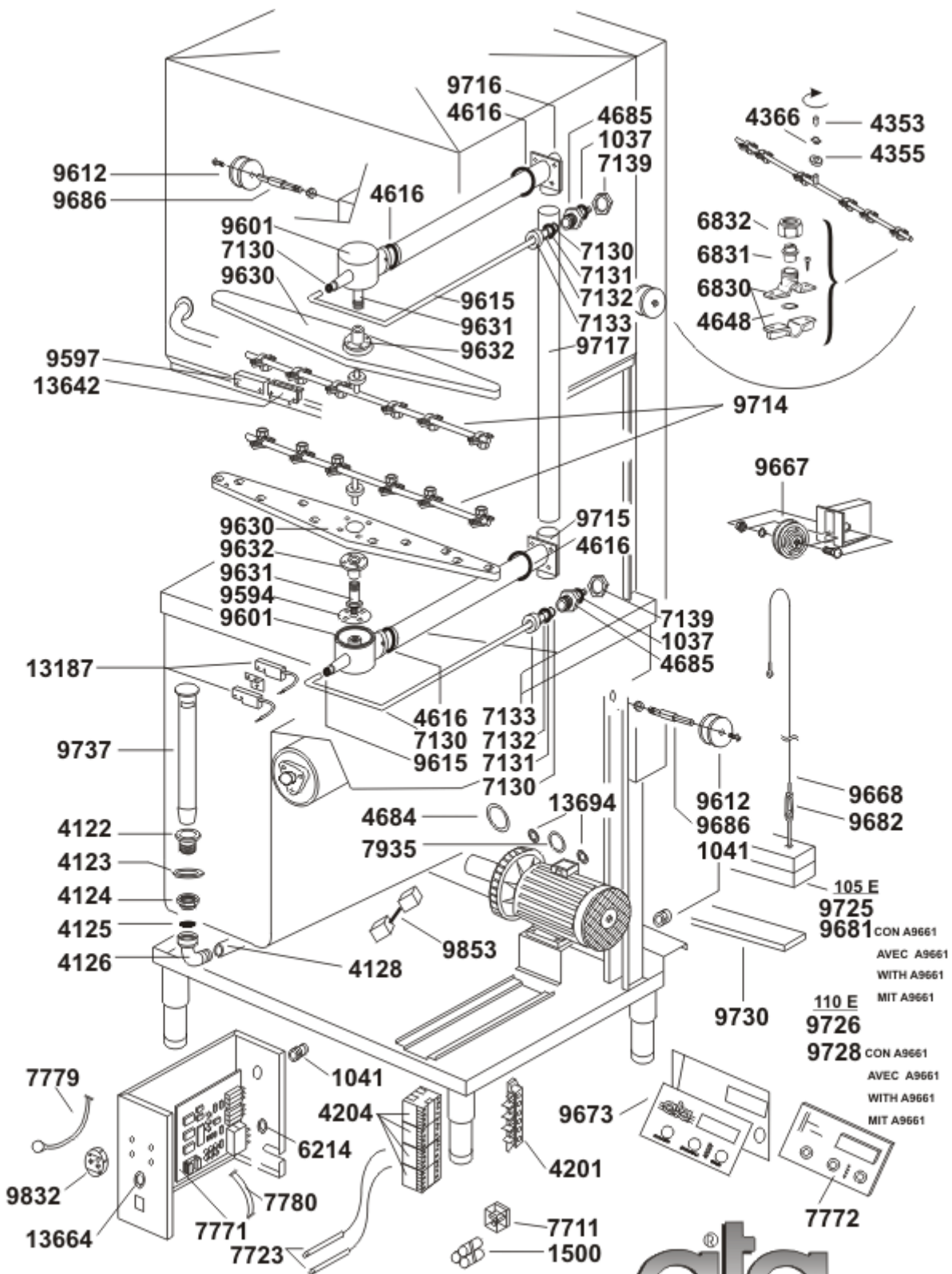
AT 105 E - 110 E

Dis. N° EM.AT.004

Data: 01-01-08



A.T.A. S.R.L. 35026 CONSELVE (PD) ITALY VIALE DEL PROGRESSO 20 - Z. I. PHONE 049/9500555 (4 LINEE R.A.) FAX 049/9500560



Modello
Modello
Modello

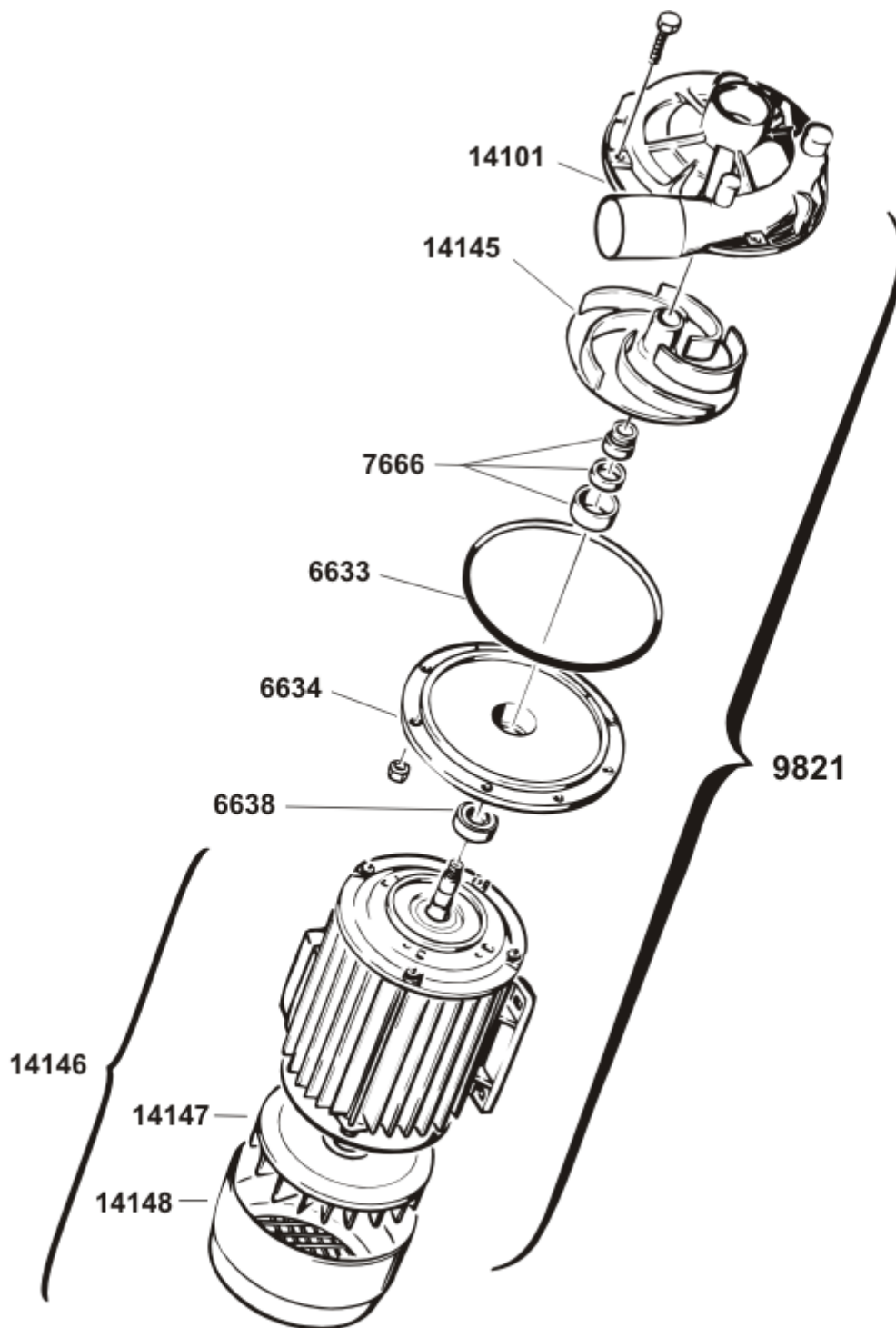
AT 105 E - 110 E

Dis. N °EE.AT.006

data: 01-01-09



A.T.A. S.R.L. 35026 CONSELVE (PD) ITALY VIALE DEL PROGRESSO 20 - Z. I. PHONE 049/9500555 (4 LINEE R.A.) FAX 049/9500560



Modello
Modello
Modello
Modello

ELETTROPOMPA 2 HP

Dis. N °EE.P026

data: 01-01-03



A.T.A. S.R.L. 35026 CONSELVE (PD) ITALY VIALE DEL PROGRESSO 20 - Z. I. PHONE 049/9500555 (4 LINEE R.A.) FAX 049/9500560