

www.atasrl.com

Modello
Macchine
Model
Model

AL 42 - 402

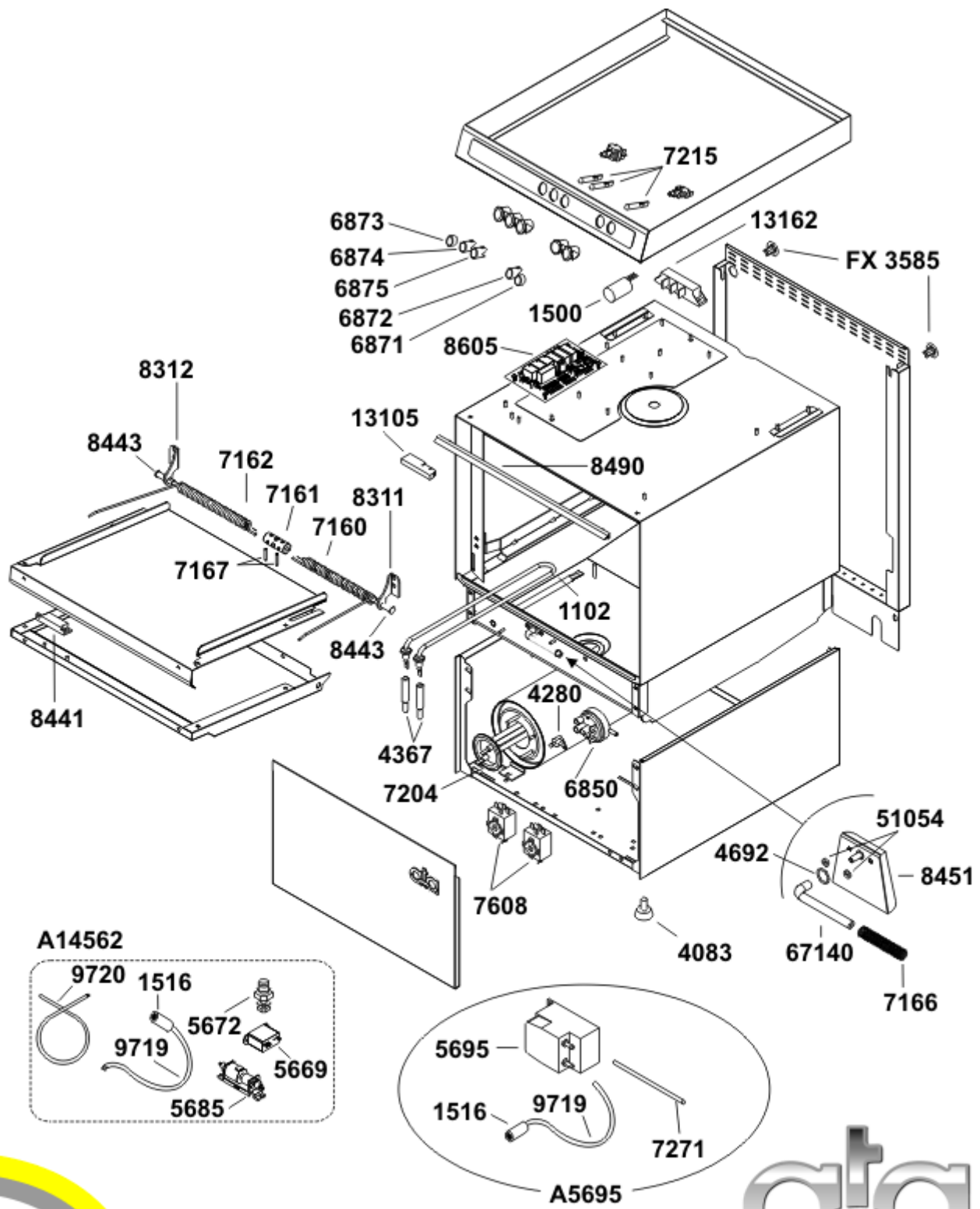
Dis. n° EM.AL.103

Data: 01/01/13



Professional dishwashers

A.T.A. S.R.L. 35026 CONSELVE (PD) ITALY VIALE DEL PROGRESSO 20 - Z. I. PHONE 049/9500555 (4 LINEE R.A.) FAX 049/9500560



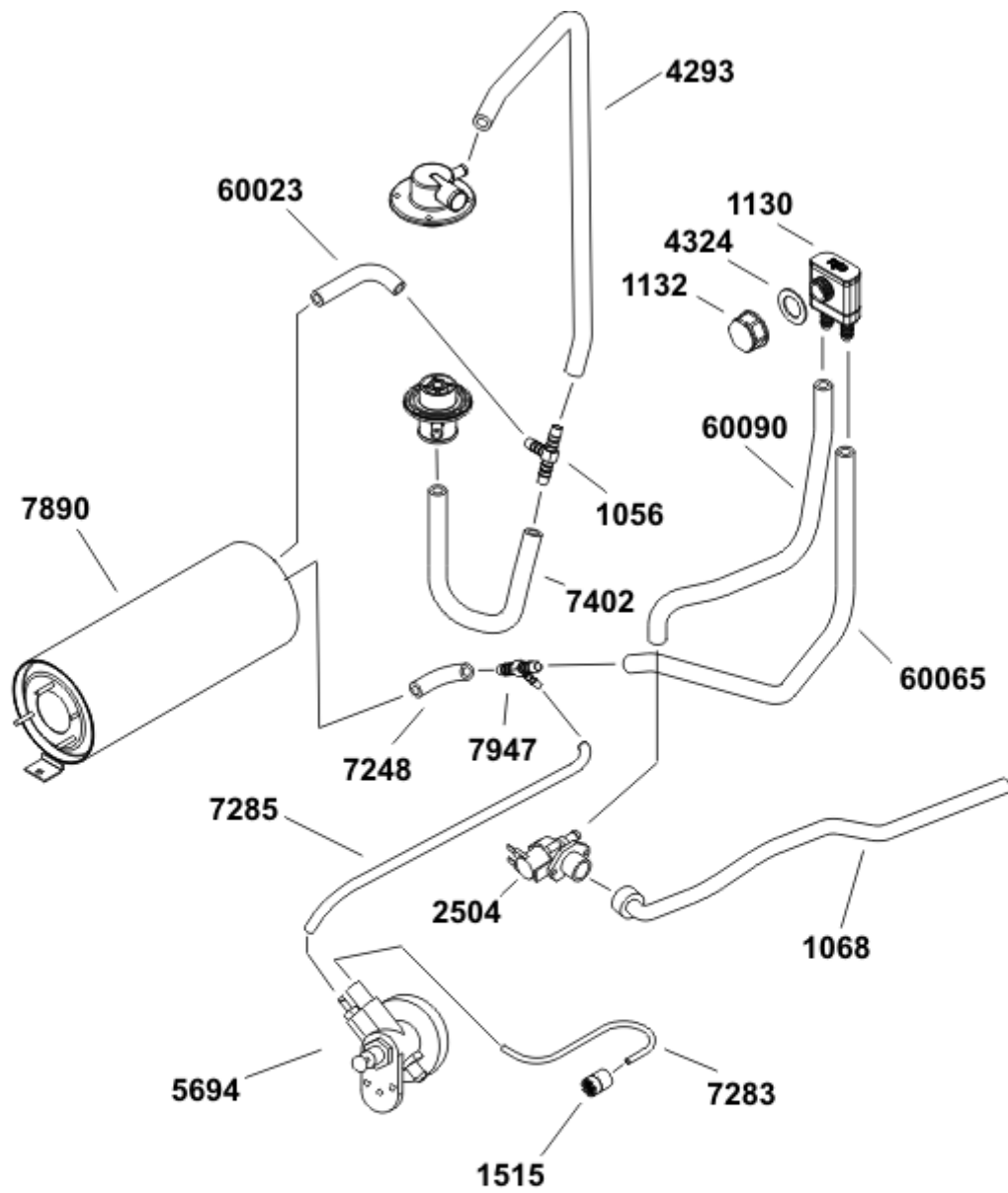
www.atasrl.com

Modello **AL 38-41-42** Dis. n° EE.AL.111 Data: 01/06/15



Professional dishwashers

A.T.A. S.R.L. 35026 CONSELVE (PD) ITALY VIALE DEL PROGRESSO 20 - Z. I. PHONE 049/9500555 (4 LINEE R.A.) FAX 049/9500560



www.atasrl.com

Modello
Model
Model
Model

AL 42

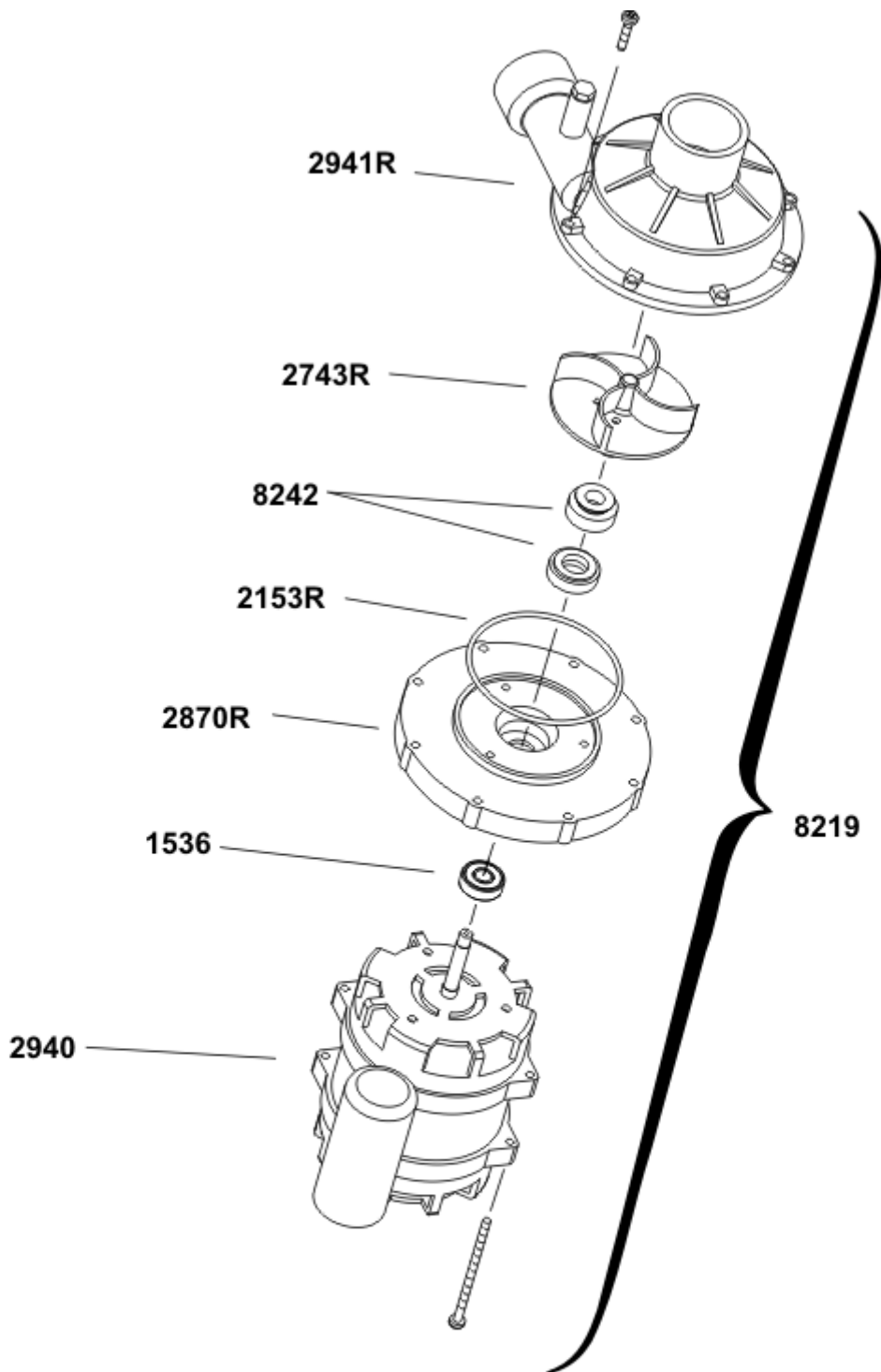
Dis. n° EI.AL.116

Data: 01/01/13



Professional dishwashers

A.T.A. S.R.L. 35026 CONSELVE (PD) ITALY VIALE DEL PROGRESSO 20 - Z. I. PHONE 049/9500555 (4 LINEE R.A.) FAX 049/9500560



www.atasrl.com

ELETTROPOMPA

0,24 kW

Modello
Macchine
Modello

Dis. n° EE.P.067

Data: 01/12/10



Professional dishwashers

A.T.A. S.R.L. 35026 CONSELVE (PD) ITALY VIALE DEL PROGRESSO 20 - Z. I. PHONE 049/9500555 (4 LINEE R.A.) FAX 049/9500560