

Modelo
Modelo
Modelo
Modelo

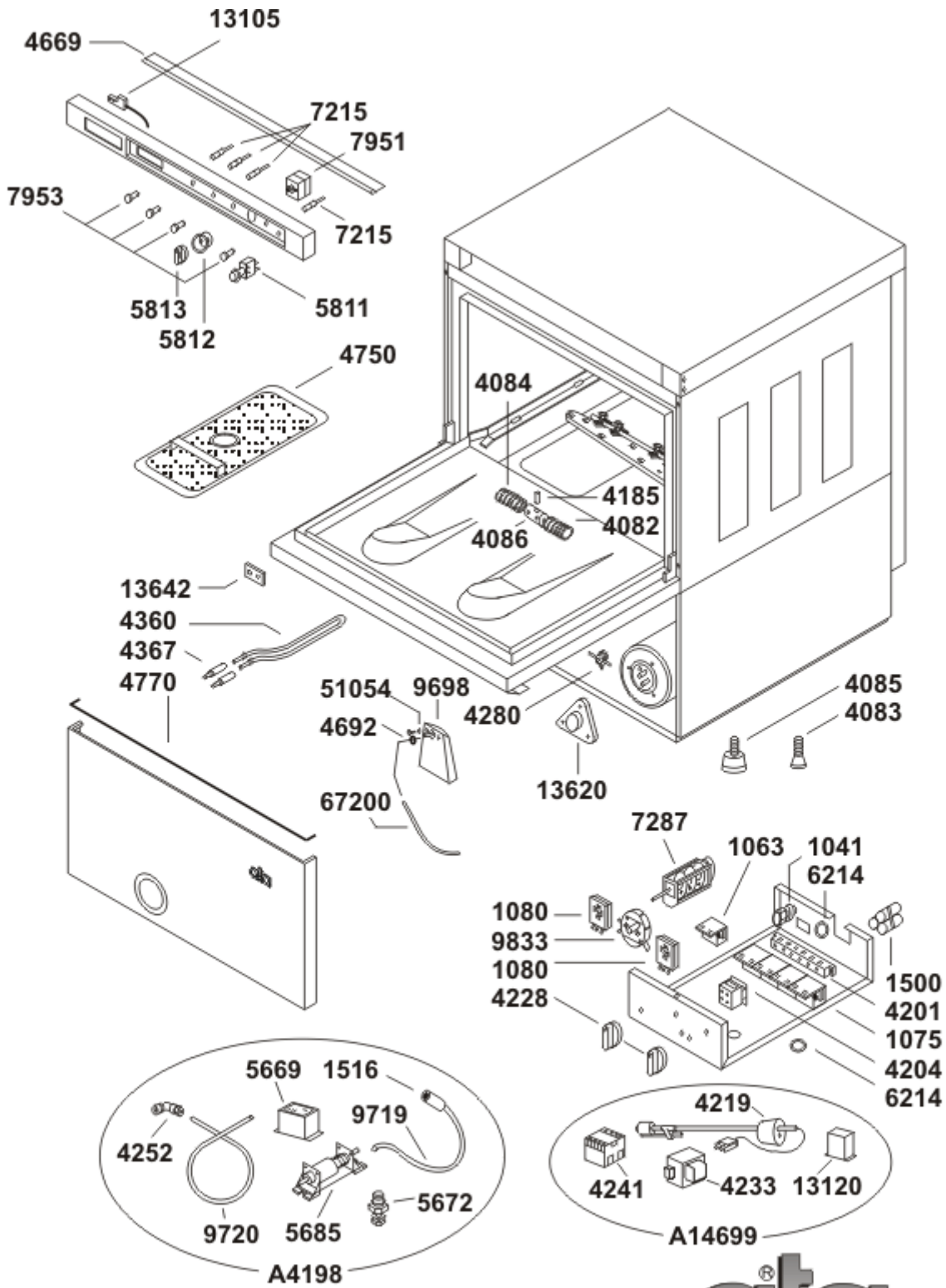
AF 61 PSW-78 PSW



Dis. N° EM.AF.037

data: 01-01-08

A.T.A. S.R.L. 35026 CONSELVE (PD) ITALY VIALE DEL PROGRESSO 20 - Z. I. PHONE 049/9500555 (4 LINEE R.A.) FAX 049/9500560



Modello
Modello
Modello

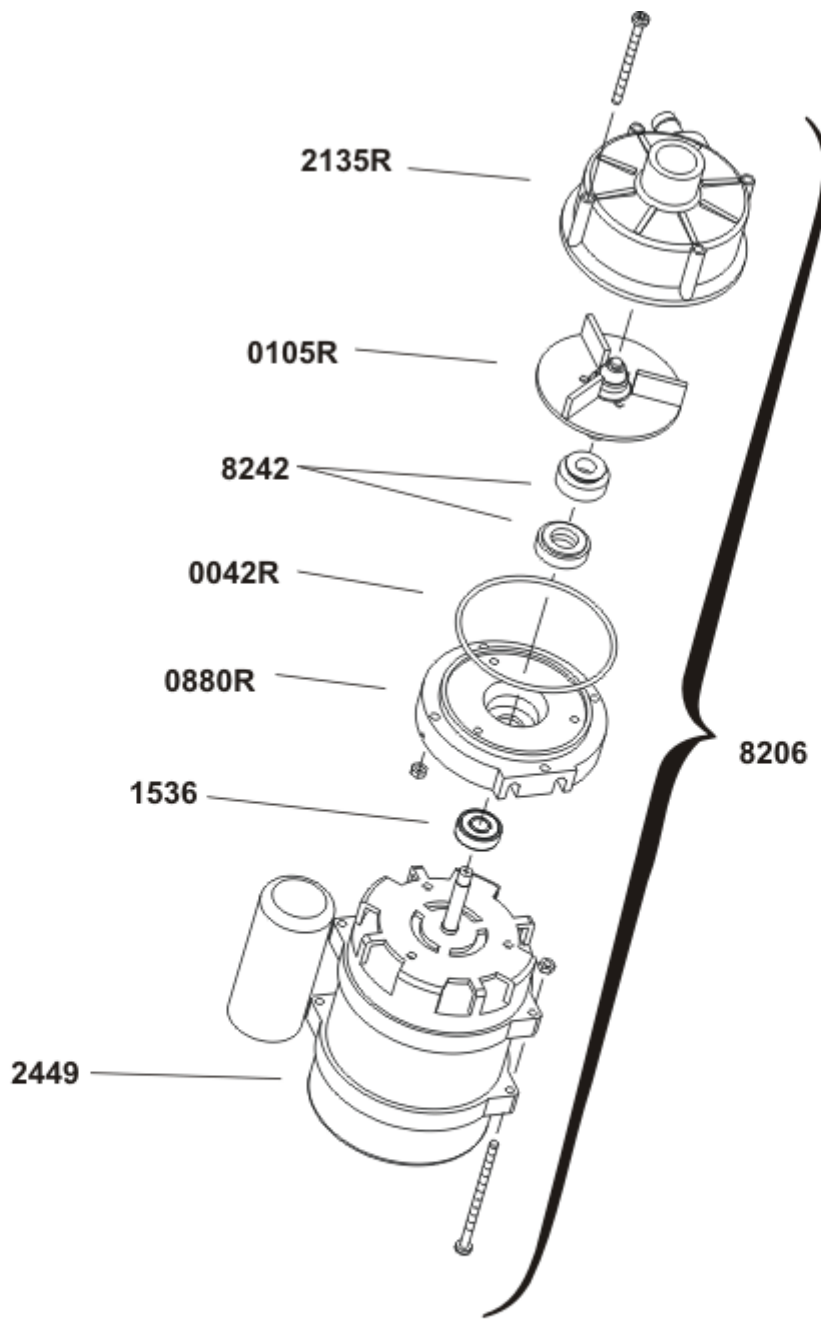
AF 61 PSW

Dis. N° EE.AF.038

data: 01-01-06



A.T.A. S.R.L. 35026 CONSELVE (PD) ITALY VIALE DEL PROGRESSO 20 - Z. I. PHONE 049/9500555 (4 LINEE R.A.) FAX 049/9500560



Modello
Modello
Modello
Modello

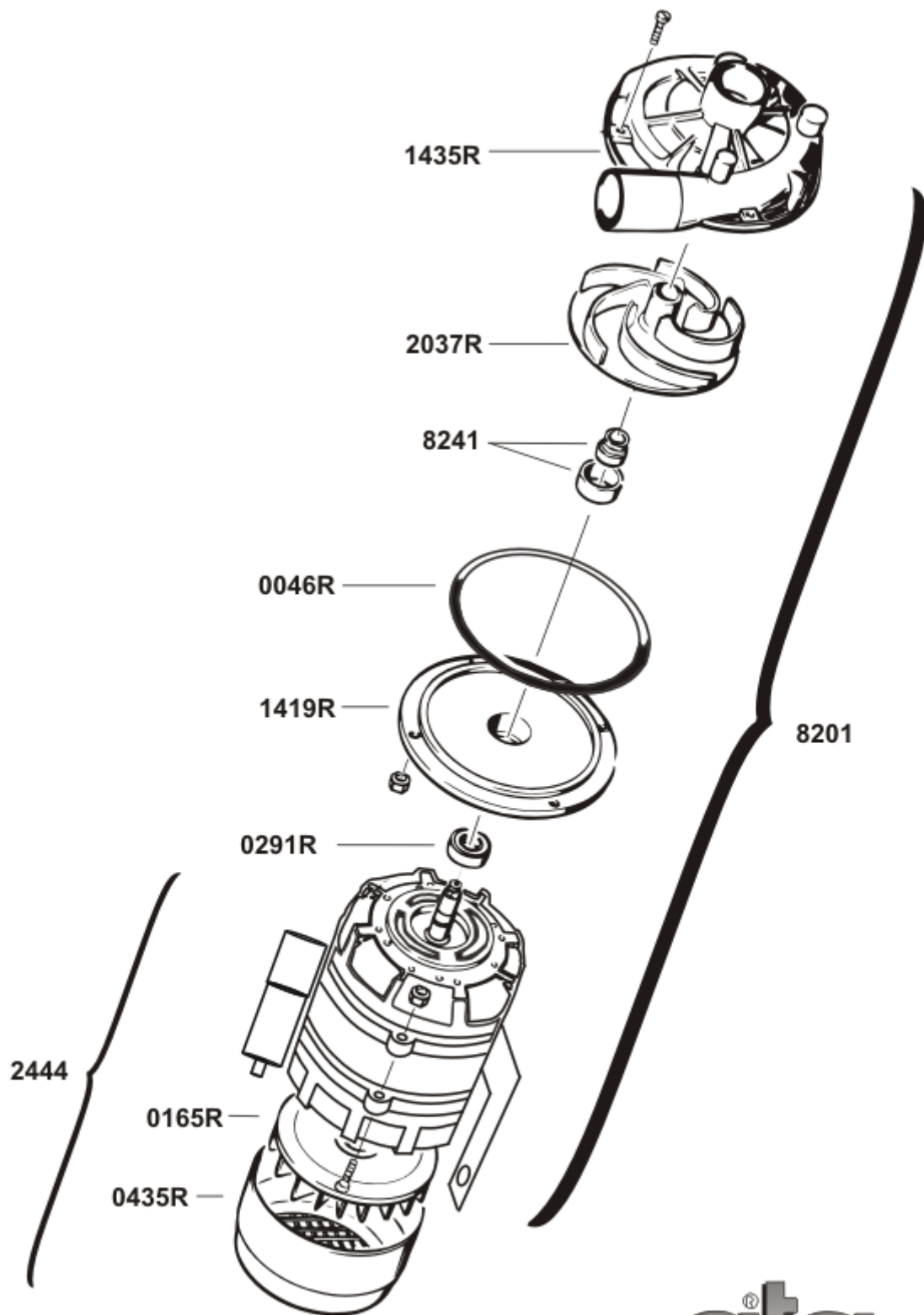
ELETTROPOMPA 0,16 kW

Dis. N° EE.P.039

data: 01-01-08



A.T.A. S.R.L. 35026 CONSELVE (PD) ITALY VIALE DEL PROGRESSO - Z. I. PHONE 049/9500555 (4 LINEE R.A.) FAX 049/9500560



Modello
Macchine
Model
Model

ELETTROPOMPA 0,62 kW

Dis. N° EE.P.034

data: 01-01-08



A.T.A. S.R.L. 35026 CONSELVE (PD) ITALY VIALE DEL PROGRESSO - Z. I. PHONE 049/9500555 (4 LINEE R.A.) FAX 049/9500560