

Modello
Macchina
Macchine
Macchine
AF 55

Dis. n° EM.AF.075

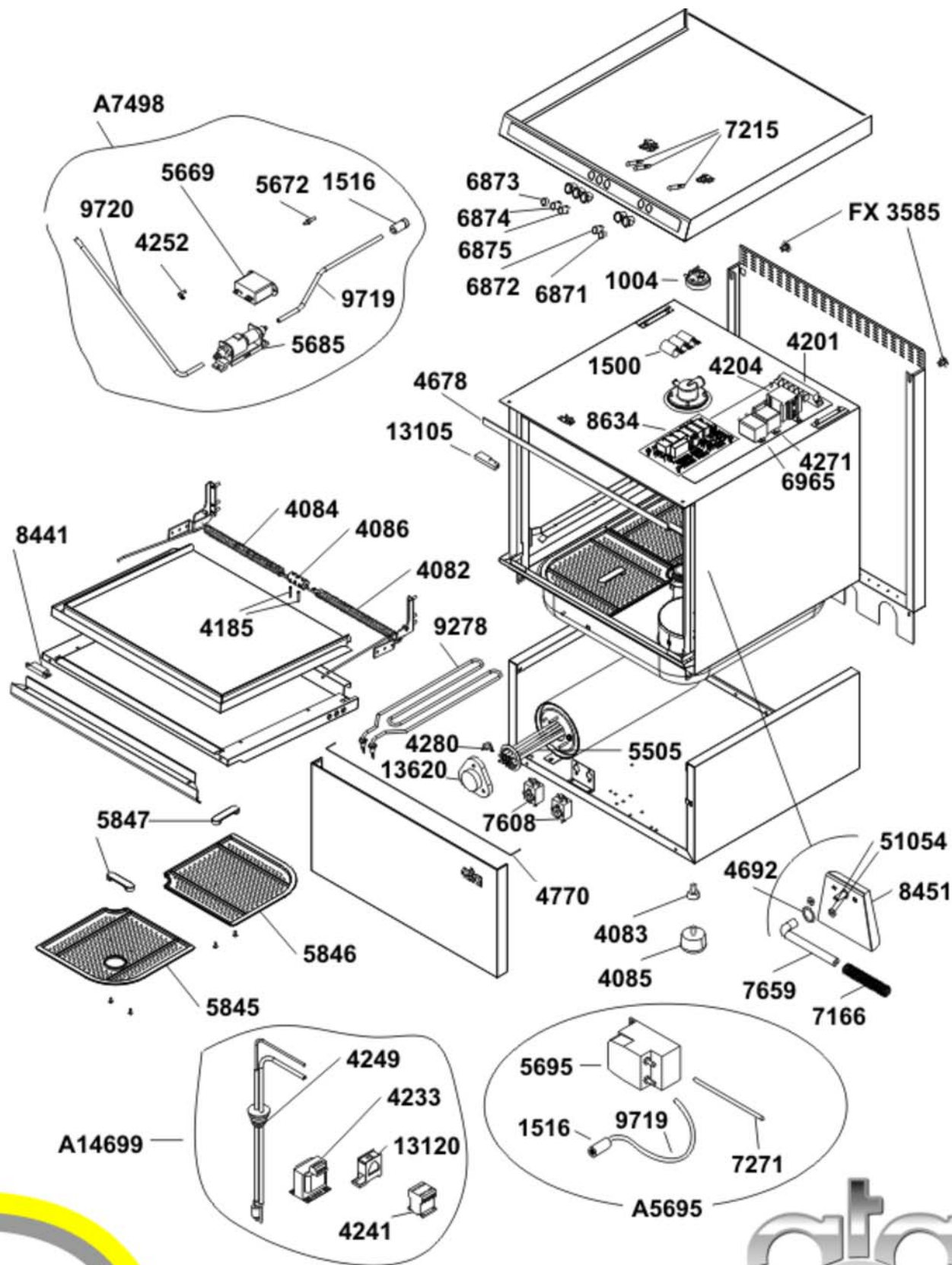
Data: 01/10/10



Professional dishwashers

www.atasrl.com

A.T.A. S.R.L. 35026 CONSELVE (PD) ITALY VIALE DEL PROGRESSO 20 - Z. I. PHONE 049/9500555 (4 LINEE R.A.) FAX 049/9500560

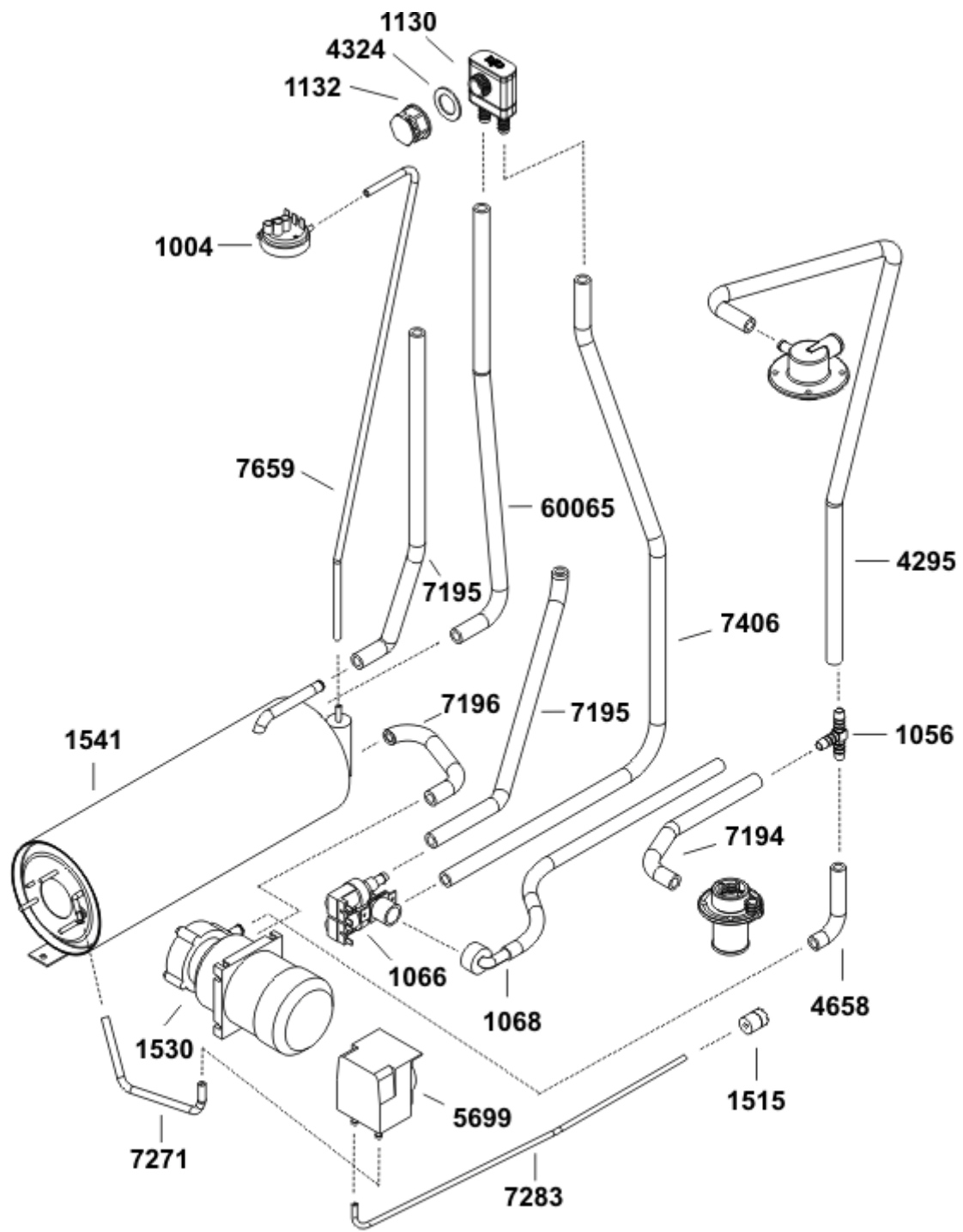


www.atasrl.com

AF 55 + PRP Dis. n° EE.AF.101 Data: 01/06/15

Professional dishwashers

A.T.A. S.R.L. 35026 CONSELVE (PD) ITALY VIALE DEL PROGRESSO 20 - Z. I. PHONE 049/9500555 (4 LINEE R.A.) FAX 049/9500560



www.atasrl.com

Modello
Versione
Modello

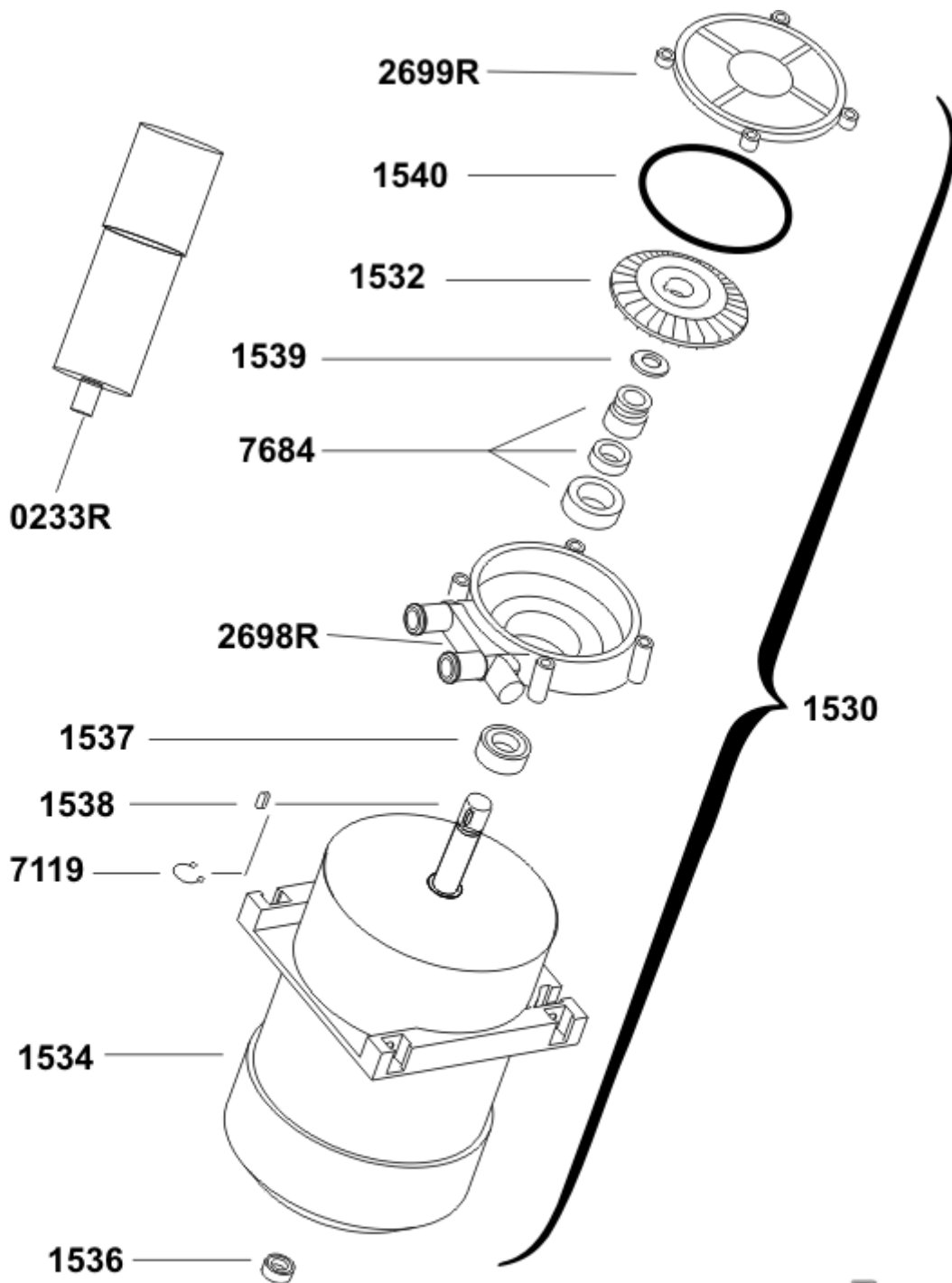
AF 55 - AF 55 PS + PRP

Dis. n° EI.AF.100 Data: 01/01/14

Professional dishwashers



A.T.A. S.R.L. 35026 CONSELVE (PD) ITALY VIALE DEL PROGRESSO 20 - Z. I. PHONE 049/9500555 (4 LINEE R.A.) FAX 049/9500560



www.atasrl.com

Modello
Modello
Modello
Modello

Pompa aum.pressione

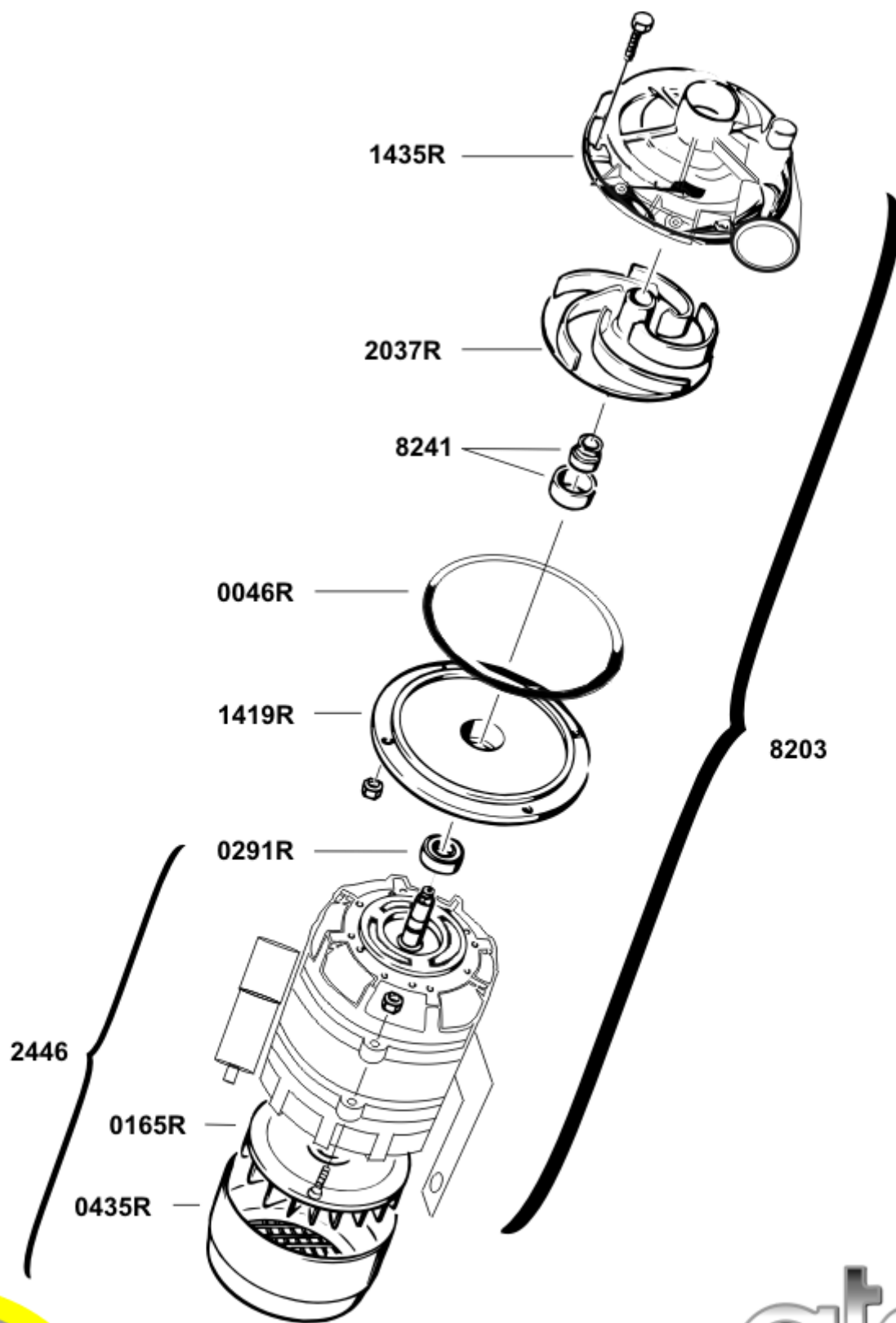
Dis. n° EE.P.027

Data: 01/10/10



Professional dishwashers

A.T.A. S.R.L. 35026 CONSELVE (PD) ITALY VIALE DEL PROGRESSO 20 - Z. I. PHONE 049/9500555 (4 LINEE R.A.) FAX 049/9500560



ELETTROPOMPA
0,62 kW

Modello
Macchin
Macchin
Macchin

Dis. n° EE.P.036

Data: 01/10/10



Professional dishwashers

www.atasrl.com

A.T.A. S.R.L. 35026 CONSELVE (PD) ITALY VIALE DEL PROGRESSO 20 - Z. I. PHONE 049/9500555 (4 LINEE R.A.) FAX 049/9500560