

www.atasrl.com

Modello **AF 55**

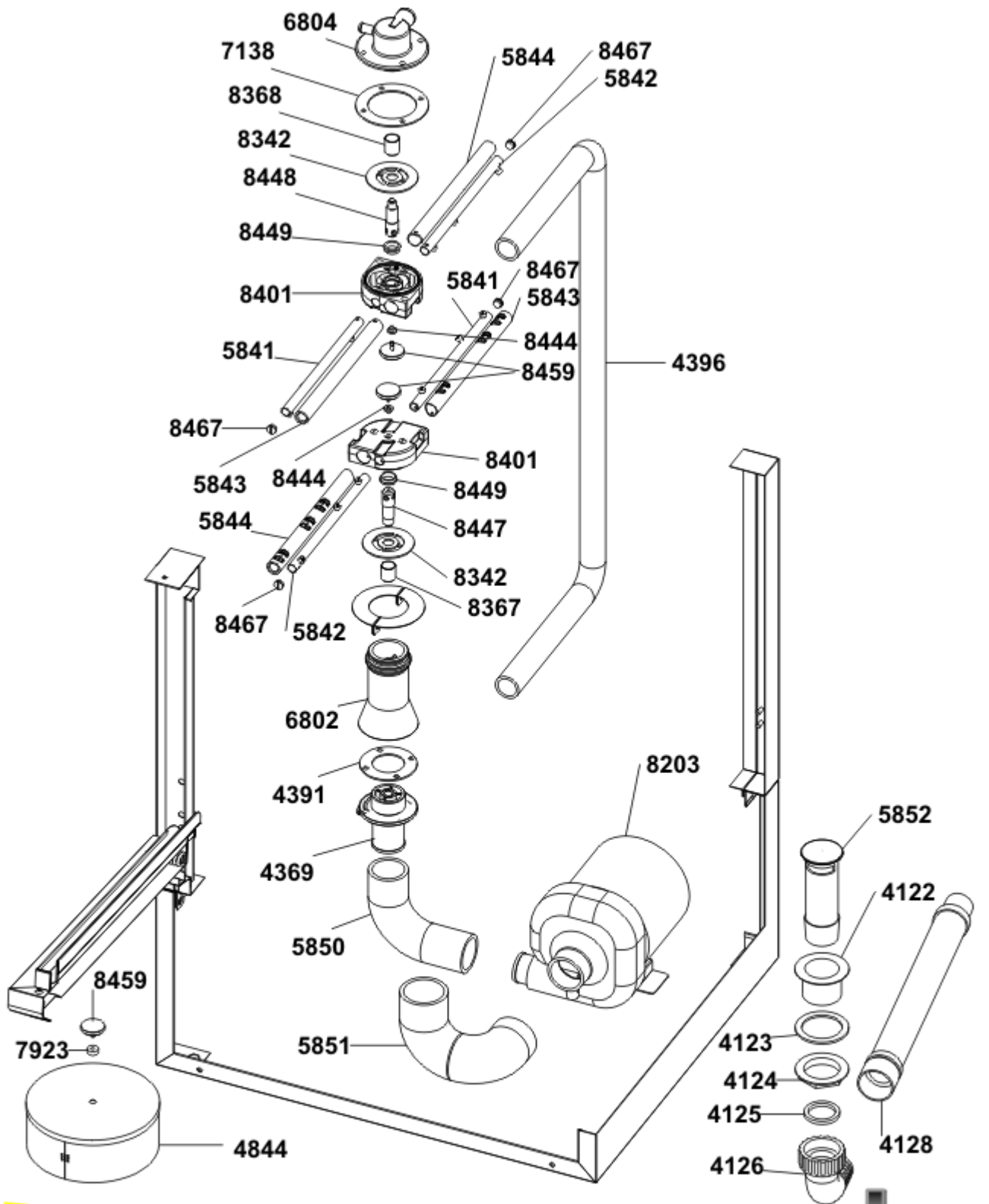
Dis. n° EE.AF.078

Data: 01/06/15



Professional dishwashers

A.T.A. S.R.L. 35026 CONSELVE (PD) ITALY VIALE DEL PROGRESSO 20 - Z. I. PHONE 049/9500555 (4 LINEE R.A.) FAX 049/9500560



www.atasrl.com

Modello  
Modello  
Modello  
Modello

**AF 55**

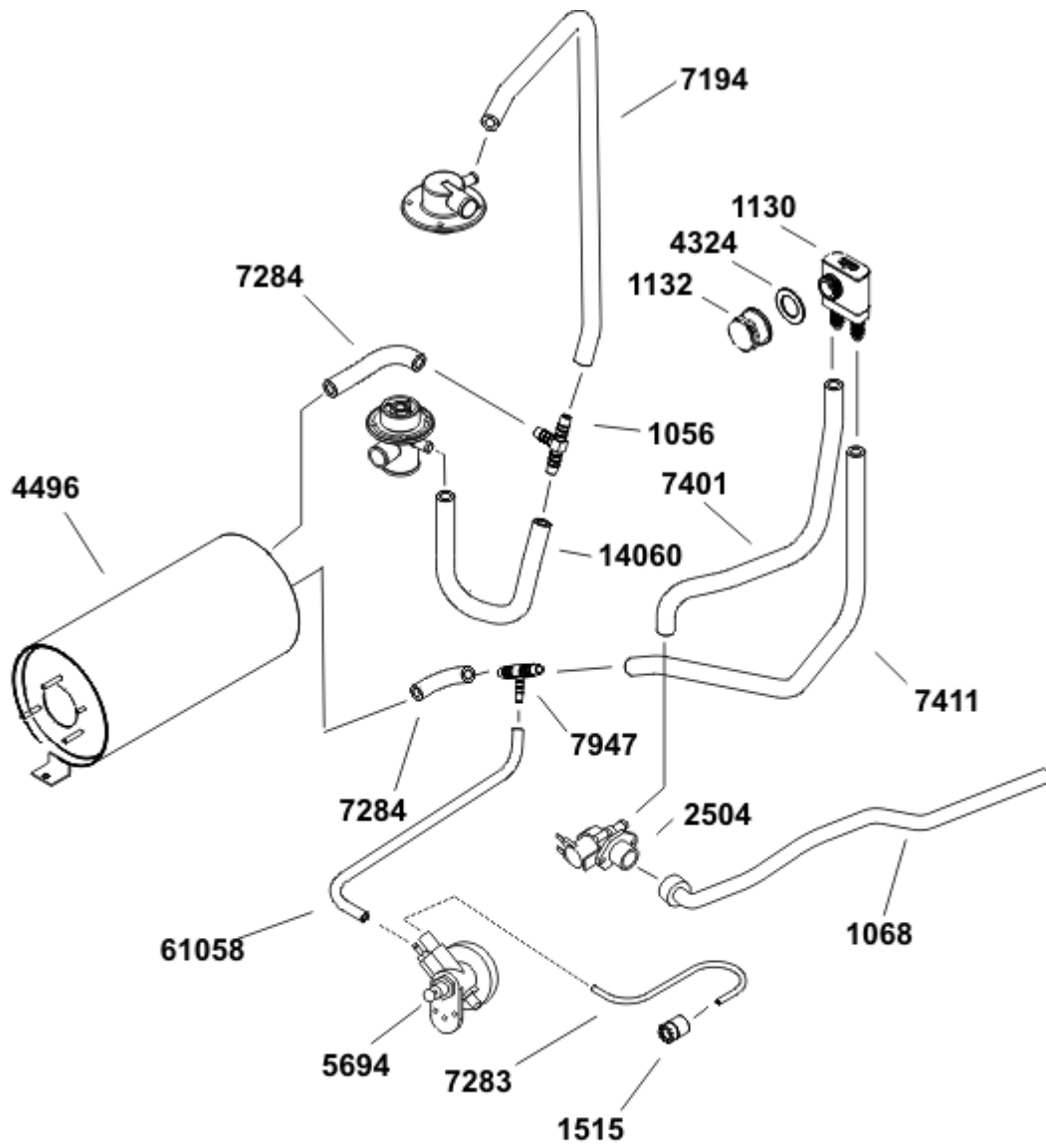
Dis. n° EM.AF.075

Data: 01/10/10



Professional dishwashers

A.T.A. S.R.L. 35026 CONSELVE (PD) ITALY VIALE DEL PROGRESSO 20 - Z. I. PHONE 049/9500555 (4 LINEE R.A.) FAX 049/9500560



[www.atasrl.com](http://www.atasrl.com)

Modello  
Dispositivo  
Modello

**AF 55 - AF 55 PS**

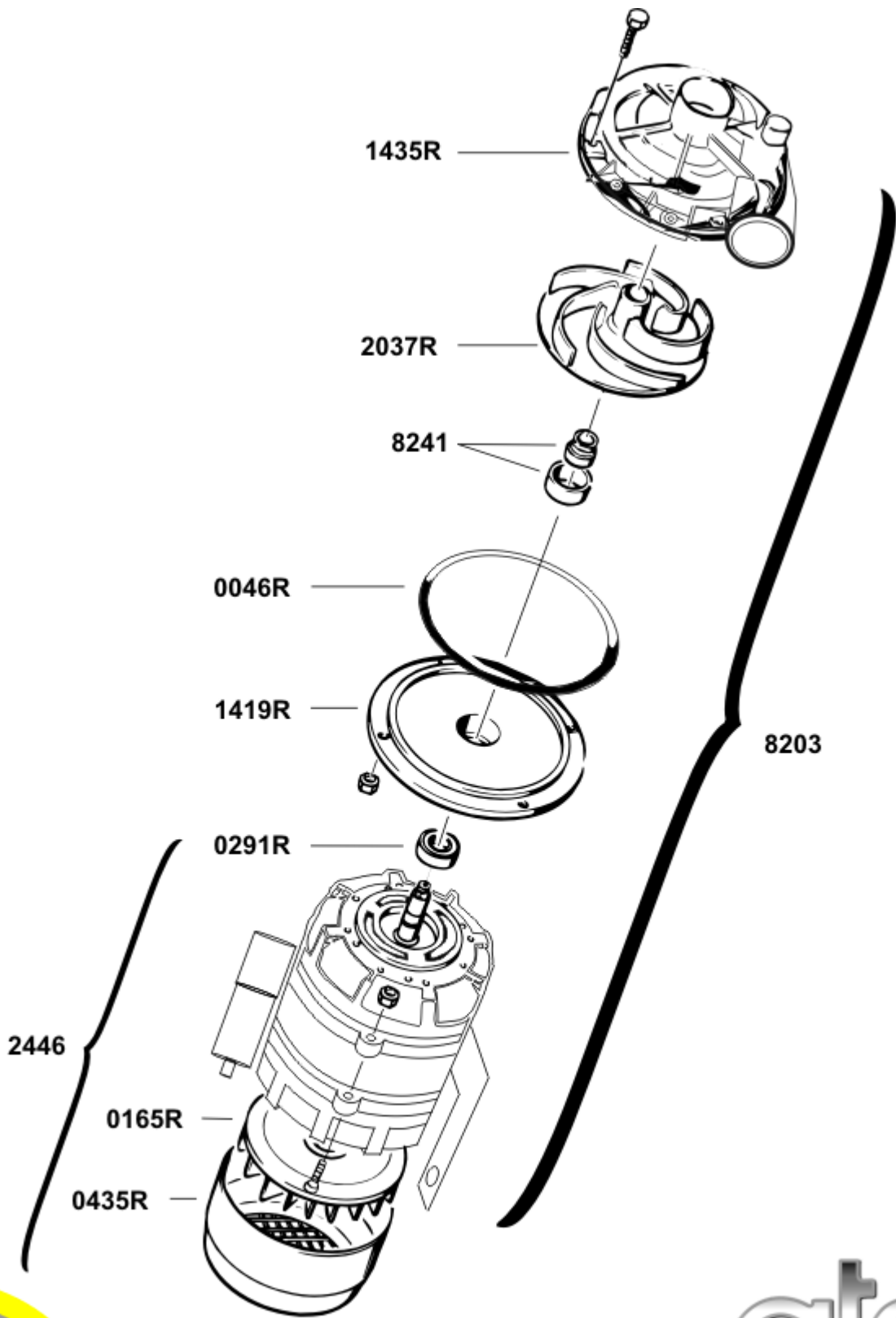
Dis. n° EI.AF.077

Data: 01/01/13

Professional dishwashers



A.T.A. S.R.L. 35026 CONSELVE (PD) ITALY VIALE DEL PROGRESSO 20 - Z. I. PHONE 049/9500555 (4 LINEE R.A.) FAX 049/9500560



**ELETTROPOMPA**  
**0,62 kW**

Dis. n° EE.P.036

Data: 01/10/10



Professional dishwashers

www.atasrl.com

A.T.A. S.R.L. 35026 CONSELVE (PD) ITALY VIALE DEL PROGRESSO 20 - Z. I. PHONE 049/9500555 (4 LINEE R.A.) FAX 049/9500560