



**GASTROPARTS**

# VEGA

- [EN]** Equipment
- [DE]** Geräte
- [ES]** Aparatos
- [FR]** Équipement
- [IT]** Attrezzature
- [PL]** Urządzenia
- [RU]** Оборудование

✉ [gastroparts@gastroparts.com](mailto:gastroparts@gastroparts.com)

☎ +48 56 657 00 66

📘 [fb.com/gastroparts.global](https://fb.com/gastroparts.global)


**GASTROPARTS.COM**







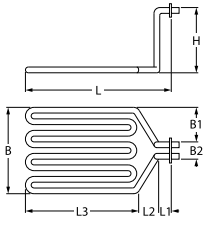
## heating elements


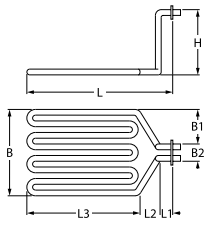
### heating elements for bain maries

 <p>1</p>			
<b>Part No.</b>	416161	<b>Ref. No.</b>	92023
<b>description</b>	heating element 1000W 230V heating circuits 1 L 430mm W 95mm connection male faston 6.3mm connection distance 40mm connection length 10mm tube ø 6.3mm dry heating element W2 39mm H 36mm		
<b>For models:</b>	BM1		


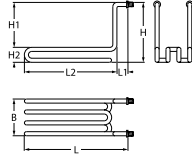







 <p>1</p>			
<b>Part No.</b>	418502	<b>Ref. No.</b>	92028 92028G
<b>description</b>	heating element 1200W 230V heating circuits 1 L 410mm W 195mm connection male faston 6.3mm tube ø 6.5mm dry heating element		

### heating elements for fryers


  <p>1</p>			
<b>Part No.</b>	418531	<b>Ref. No.</b>	N/A
<b>description</b>	heating element 2000W 230V heating circuits 1 L 296mm W 120mm H 170mm rectangular flange connection male faston 6.3mm immersion heater L1 14mm L2 70mm L3 212mm W1 50mm W2 27mm hole distance 40mm windings 2 hole ø 4mm flange length 51mm flange width 22mm tube ø 8.5mm connection length 37mm		

  <p>1</p>			
<b>Part No.</b>	418501	<b>Ref. No.</b>	93178
<b>description</b>	heating element 3000W 230V heating circuits 1 L 280mm W 191mm H 164mm rectangular flange connection male faston 6.3mm L1 15mm L2 35mm L3 230mm W1 80mm W2 31mm hole distance 40mm windings 3 hole ø 4mm flange length 50mm flange width 22mm		

### 2 hole fixing


  <p>1</p>			
<b>Part No.</b>	416172	<b>Ref. No.</b>	93097
<b>description</b>	heating element 3000W 230V heating circuits 1 L 300mm W 80mm H 255mm L1 43mm L2 257mm H1 215mm H2 40mm thread 1/4" mounting distance 67mm tube ø 8.5mm 2 hole fixing connection M5 connection length 12mm immersion heater windings 4		
<b>spare parts for</b>	416172		
	<b>Part No.</b>	510417	<b>Ref. No.</b> —
	flat gasket fibre ED ø 20mm ID ø 14mm thickness 2mm Qty 1 pcs		
	<b>Part No.</b>	528723	<b>Ref. No.</b> —
	flat gasket FIBER ED ø 20mm ID ø 13mm thickness 1mm Qty 1 pcs		
<b>accessories for</b>	416172		
	<b>Part No.</b>	361182	<b>Ref. No.</b> —
	nut thread 1/4" H 5mm nickel-plated brass WS 17 Qty 1 pcs		
	<b>Part No.</b>	520228	<b>Ref. No.</b> —
	tooth lock washer ID ø 15.3mm ED ø 24mm steel Qty 1 pcs for thread M14		
	<b>Part No.</b>	550262	<b>Ref. No.</b> —
	flat gasket copper ED ø 20mm ID ø 14mm thickness 2mm		
	<b>Part No.</b>	560112	<b>Ref. No.</b> —
	plain washer ID ø 5.3mm ED ø 10mm thickness 1mm SS Qty 20 pcs DIN 125A for thread M5		
	<b>Part No.</b>	560132	<b>Ref. No.</b> —
	hexagonal nut thread M5 H 4mm WS 8 SS DIN/ISO DIN 934 / ISO 4032/8673 Qty 20 pcs		

### heating elements for griddles

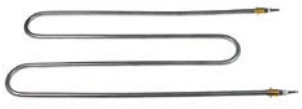




 <p>1</p>			
<b>Part No.</b>	416161	<b>Ref. No.</b>	92023
<b>description</b>	heating element 1000W 230V heating circuits 1 L 430mm W 95mm connection male faston 6.3mm connection distance 40mm connection length 10mm tube ø 6.3mm dry heating element W2 39mm H 36mm		
<b>For models:</b>	BM1		



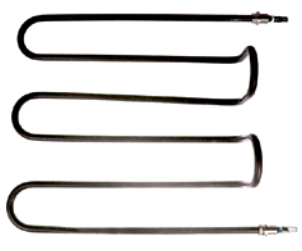
## heating elements for contact grills


			
1			
<b>Part No.</b>	417662	<b>Ref. No.</b>	Heizung zu 80879
<b>description</b>	heating element 2400W 230V heating circuits 1 L 315mm W 285mm H 50mm connection distance 280mm tube ø 8.5mm		

## heating elements for pizza ovens

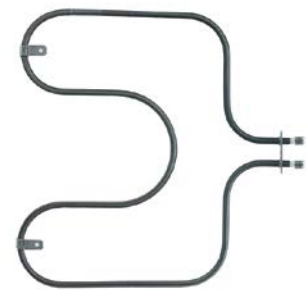
			
1			
<b>Part No.</b>	416848	<b>Ref. No.</b>	93107
<b>description</b>	heating element 800W 230V L 445mm W 195mm thread 1/4" mounting distance 186mm connection length 15mm connection M4 tube ø 8.5mm heating circuits 1 dry heating element 2 hole fixing		
<b>accessories for</b>	416848		
	<b>Part No.</b>	361182	<b>Ref. No.</b> —
	nut thread 1/4" H 5mm nickel-plated brass WS 17 Qty 1 pcs		
	<b>Part No.</b>	510417	<b>Ref. No.</b> —
	flat gasket fibre ED ø 20mm ID ø 14mm thickness 2mm Qty 1 pcs		
	<b>Part No.</b>	520228	<b>Ref. No.</b> —
	tooth lock washer ID ø 15.3mm ED ø 24mm steel Qty 1 pcs for thread M14		
	<b>Part No.</b>	550262	<b>Ref. No.</b> —
	flat gasket copper ED ø 20mm ID ø 14mm thickness 2mm		

## heating elements for rechauds


			
1			
<b>Part No.</b>	418518	<b>Ref. No.</b>	für 81133V1
<b>description</b>	heating element 1300W 230V		


			
1			
<b>Part No.</b>	418516	<b>Ref. No.</b>	für 81132
<b>description</b>	heating element 650W 230V		


## heating elements for heated cabinets

			
1			
<b>Part No.</b>	416719	<b>Ref. No.</b>	93272
<b>description</b>	heating element 600W 230V heating circuits 1 L 259mm W 275mm flange length 44mm flange width 22mm connection male faston 6.3mm tube ø 6.5mm rectangular flange hole ø 4mm dry heating element L1 45mm L2 214mm W1 125mm W2 29mm		

## quartz heating elements

			
1			
<b>Part No.</b>	415303	<b>Ref. No.</b>	92027
<b>description</b>	heating element 400W 115V L 340mm ø 12mm connection male faston 6.3mm		
<b>For models:</b>	T2		

			
1			
<b>Part No.</b>	419179	<b>Ref. No.</b>	93119 93119G
<b>description</b>	quartz heating element 700W 110V L 560mm ø 11.5mm connection F6.3 17.50hm		

			
1			
<b>Part No.</b>	416020	<b>Ref. No.</b>	92000
<b>description</b>	quartz tube WV L 390mm ID ø 9mm ED ø 11mm		



## energy regulators

### EGO

#### 1-circuit



1

<b>Part No.</b>	380015	<b>Ref. No.</b>	93087G
<b>description</b>	energy regulator 230V 13A single-circuit turn direction right shaft ø 6x4.6mm shaft L 23mm mounting thread M4 power release 6-100% no. 50.57021.010		

## thermostats

### control and safety thermostats

#### EGO

##### control thermostats

##### 55.10/19\_ series



1

<b>Part No.</b>	375856	<b>Ref. No.</b>	93238
<b>description</b>	thermostat t.max. 187°C temperature range 101-187°C 1-pole 1NO 16A probe ø 6mm probe L 130mm capillary pipe 900mm capillary pipe isolated 700mm gland nut M10x1 shaft ø 6x4.6mm shaft L 23mm shaft position upper rotation 270°		

##### 55.13\_ series



1

<b>Part No.</b>	375530	<b>Ref. No.</b>	93044 G
<b>description</b>	thermostat t.max. 400°C temperature range 100-400°C 1-pole 1NO 16A probe ø 3.9mm probe L 163mm capillary pipe 830mm capillary pipe isolatedmm gland nut shaft ø 6x4.6mm shaft L 23mm shaft position upper rotation 270°		

#### safety thermostats

##### 55.10/19\_ series



1

<b>Part No.</b>	375339	<b>Ref. No.</b>	93239G
<b>description</b>	safety thermostat switch-off temp. 225°C 1-pole 0.5A probe ø 6mm probe L 133mm capillary pipe 870mm capillary pipe isolatedmm gland nut M10x1 probe		

##### accessories for



<b>Part No.</b>	551083	<b>Ref. No.</b>	—
<b>description</b>	cap for safety thermostat thread M8x1		

#### IMIT / TEMPOMATIC / ARTHERMO

##### control thermostats



1

<b>Part No.</b>	375805	<b>Ref. No.</b>	93001
<b>description</b>	thermostat t.max. 90°C temperature range 0-90°C 1-pole 1CO 15A probe ø 6.5mm probe L 85mm capillary pipe 1000mm capillary pipe isolated 900mm gland nut shaft ø 6x4.6mm shaft L 19mm rotation 270°		

#### TECASA

##### control thermostats



1

<b>Part No.</b>	375801	<b>Ref. No.</b>	93179
<b>description</b>	thermostat t.max. 180°C temperature range 50-180°C 1-pole 1NO 16A probe ø 6mm probe L 75mm capillary pipe 420mm capillary pipe isolatedmm gland nut shaft ø 6x4.6mm rotation 270°		
<b>For models:</b>	81064, 81065, CHEF		



#### safety thermostats



1

<b>Part No.</b>	390028	<b>Ref. No.</b>	93037
<b>description</b>	safety thermostat switch-off temp. 230°C 1-pole 16A probe ø 3mm probe L 155mm capillary pipe 890mm capillary pipe isolated 600mm gland nut probe SS		





			
1 			
<b>Part No.</b>	375195	<b>Ref. No.</b>	93180
<b>description</b>	safety thermostat switch-off temp. 240°C 1-pole 16A probe ø 4mm probe L 84mm capillary pipe 400mm capillary pipe isolated 130mm gland nut probe SS		
<b>For models:</b>	81064, 81065, CHEF		


## switches and momentary switches

### rocker/momentary rocker switches

30x11mm


			
1			
<b>Part No.</b>	301010	<b>Ref. No.</b>	93258
<b>description</b>	rocker switch mounting measurements 30x11mm red 1NO/indicator light 250V 16A 0-I connection male faston 6.3mm ambient temperature max. 85/125°C protection IP40		
<b>accessories for</b>	301010		
	<b>Part No.</b>	301035	<b>Ref. No.</b> —
protective cover mounting measurements 30x11mm			

30x22mm

			
1			
<b>Part No.</b>	345641	<b>Ref. No.</b>	93002
<b>description</b>	rocker switch mounting measurements 30x22mm red 2NO 230V 16A illuminated 0-I connection male faston 6.3mm ambient temperature max. 125/55°C protection IP65 with rubber collar		

### microswitches

lever actuated

			
1			
<b>Part No.</b>	346969	<b>Ref. No.</b>	Microschalter zu 81207
<b>description</b>	microswitch with lever 250V 16A 1NO connection male faston 6.3mm L 59mm L1 29mm ambient temperature max. 120°C mounting distance 22mm actuating force: 50g lever length 50mm		


## lamps

### indicator lights

indicator lights (complete)


ø12mm

with plug-in socket

			
1			
<b>Part No.</b>	359898	<b>Ref. No.</b>	für 81141V1
<b>description</b>	indicator light ø 12mm 230V green connection male faston 6.3mm		



ø13mm

with plug-in socket

			
1			
<b>Part No.</b>	359143	<b>Ref. No.</b>	93004
<b>description</b>	indicator light ø 13mm yellow 230V connection male faston 6.3mm temp.-resist. 120°C Qty 1 pcs		
<b>For models:</b>	81064, 81065, T2		

## timers

### mechanical timers

			
1			
<b>Part No.</b>	350044	<b>Ref. No.</b>	93003
<b>description</b>	timer C20 2-pole operation time 15min impulse mechanical 2NO at 250V 16A permanent position no shaft ø 6x4.6mm shaft 6x4.6mm shaft L 20mm mounting distance 28mm connection lateral for toaster		
<b>For models:</b>	T2		
<b>accessories for</b>	350044		
	<b>Part No.</b>	110285	<b>Ref. No.</b> —
knob switch zero mark t.max.°C ø 40mm shaft ø 6x4.6mm shaft flat upper black			




## equipment-specific units

for rechauds

warming plates

components




1

<b>Part No.</b>	693839	<b>Ref. No.</b>	93234
<b>description</b>	warming plate dimensions 270x150x10(6)mm		

## knoobs

universal knobs




1

<b>Part No.</b>	112121	<b>Ref. No.</b>	93314
<b>description</b>	knob thermostat t.max. 180°C ø 48mm shaft ø 6x4.6mm shaft flat upper temperature range 70-180°C rotation 270°		


producer-specific knobs

VEGA




1

<b>Part No.</b>	112120	<b>Ref. No.</b>	93052
<b>description</b>	knob switch zero mark ø 40mm		




1

<b>Part No.</b>	110650	<b>Ref. No.</b>	93052
<b>description</b>	knob switch zero mark ø 40mm shaft ø 6x4.6mm shaft flat lower black		



1

<b>Part No.</b>	110657	<b>Ref. No.</b>	93052
<b>description</b>	knob switch zero mark t.max.°C temperature range°C ø 40mm shaft ø 6x4.6mm shaft flat lower black		




1

<b>Part No.</b>	112121	<b>Ref. No.</b>	93314
<b>description</b>	knob thermostat t.max. 180°C ø 48mm shaft ø 6x4.6mm shaft flat upper temperature range 70-180°C rotation 270°		

## fittings for catering equipment

outlet taps

universal



1

<b>Part No.</b>	540699	<b>Ref. No.</b>	93038
<b>description</b>	outlet tap W 35mm H 35mm thread 3/4" IT		

mechanical components, equipment accessories

1

**GASTRO**PARTS.COM

