



GASTROPARTS

Solenry

- [EN]** Equipment
- [DE]** Geräte
- [ES]** Aparatos
- [FR]** Équipement
- [IT]** Attrezzature
- [PL]** Urządzenia
- [RU]** Оборудование

✉ gastroparts@gastroparts.com

☎ +48 56 657 00 66

📘 fb.com/gastroparts.global




GASTROPARTS.COM










heating elements

heating elements for coffee machine

			
Part No.	417145	Ref. No.	N/A
description	heating element 2000W 230V heating circuits 1 thread 1¼" L 328mm W 25mm H 37mm connection M6x1 immersion heater flange with thread		
accessories for	417145		
	Part No.	510405	Ref. No. —
	flat gasket fibre ED ø 56mm ID ø 42mm thickness 2mm for thread 1¼" Qty 1 pcs		
	Part No.	528021	Ref. No. —
	flat gasket PTFE ED ø 53mm ID ø 42.5mm thickness 3mm Qty 1 pcs equiv. no. 12001/02286 suitable for Astoria/Aurora/Brasilia/Wega		

			
Part No.	417143	Ref. No.	N/A
description	heating element 2500W 230V heating circuits 2 mounting ø 60mm hole distance 64mm L 373mm W 38mm H 48mm L1 25mm L2 70mm L3 278mm H1 26mm hole ø 10mm H2 22mm tube ø 8mm connection M6 immersion heater 3 hole flange suitable for SOLENRY		


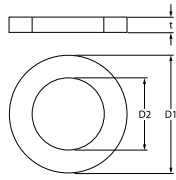
			
Part No.	417146	Ref. No.	N/A
description	heating element 2500W 230V heating circuits 3 thread 1¼" L 385mm W 20mm H 38mm tube ø 8mm connection M4 immersion heater connection length 56mm flange with thread		
accessories for	417146		
	Part No.	510405	Ref. No. —
	flat gasket fibre ED ø 56mm ID ø 42mm thickness 2mm for thread 1¼" Qty 1 pcs		
	Part No.	528021	Ref. No. —
	flat gasket PTFE ED ø 53mm ID ø 42.5mm thickness 3mm Qty 1 pcs equiv. no. 12001/02286 suitable for Astoria/Aurora/Brasilia/Wega		


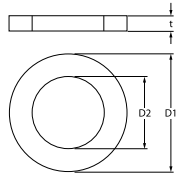
			
Part No.	417144	Ref. No.	N/A
description	heating element 3000W 230V heating circuits 2 mounting ø 60mm hole distance 64mm L 470mm W 40mm H 52mm L1 40mm L2 45mm L3 394mm H1 8mm hole ø 9mm H2 44mm tube ø 8mm connection M6 immersion heater 3 hole flange suitable for SOLENRY		

accessories

sealing washers

fibre gaskets

 			
Part No.	528880	Ref. No.	N/A
description	flat gasket fibre ED ø 57mm ID ø 40mm thickness 3mm Qty 1 pcs		

 			
Part No.	528879	Ref. No.	N/A
description	flat gasket fibre ED ø 63mm ID ø 48mm thickness 3mm Qty 1 pcs		


equipment-specific units

for espresso machines

filter holders

filter holders standard

filter holders short

			
Part No.	529156	Ref. No.	N/A
description	filter holder mounting ø 78mm outlet 1/4" ID ø 58mm handle M12x1.75 wedge height 11.5mm wedge position horizontal number of wedges 2 lever straight chrome-plated brass		

brewing units

filter holder gaskets

flat

standard

			
Part No.	528083	Ref. No.	N/A
description	filter holder gasket D1 ø 70mm D2 ø 56.5mm H 8.3mm		





			
1			
Part No.	528062	Ref. No.	N/A
description	filter holder gasket D1 ø 70mm D2 ø 56.5mm H 8mm Qty 1 pcs		

gaskets


sealing washers


fibre gaskets


			
1			
Part No.	528880	Ref. No.	N/A
description	flat gasket fibre ED ø 57mm ID ø 40mm thickness 3mm Qty 1 pcs		


			
1			
Part No.	528879	Ref. No.	N/A
description	flat gasket fibre ED ø 63mm ID ø 48mm thickness 3mm Qty 1 pcs		


manometers

			
1			
Part No.	541292	Ref. No.	N/A
description	manometer ø 52mm pressure range 0 up to 20bar thread 1/8" connection on the backside		

			
1			
Part No.	541237	Ref. No.	N/A
description	manometer thread 1/4" pressure range 0 up to 3bar black marking 1 connection on the backside		

			
1			
Part No.	541236	Ref. No.	N/A
description	manometer thread 1/4" pressure range 0 up to 3bar red marking 1 connection on the backside		

			
1			
Part No.	541239	Ref. No.	N/A
description	manometer thread 1/4" pressure range 0 up to 18bar black marking 9		

			
1			
Part No.	541238	Ref. No.	N/A
description	manometer thread 1/4" pressure range 0 up to 18bar red marking 1		

GASTROPARTS.COM

