

Primax

[EN] Equipment

[DE] Geräte

[ES] Aparatos

[FR] Équipement

[IT] Attrezzature

[PL] Urządzenia

[RU] Оборудование

✉ gastroparts@gastroparts.com

☎ tel. +48 56 657 00 66

📘 fb.com/gastroparts.global

energy regulators

ROBERTSHAW

MSA series



1

Part No.	380858	Ref. No.	4620700
description	energy regulator ROBERTSHAW 240V 15A turn direction right shaft ϕ 6x4.6mm shaft L 23mm mounting thread 8"-32UNC		

thermostats

control and safety thermostats

CAEM

safety thermostats



1

Part No.	376072	Ref. No.	4620510
description	safety thermostat switch-off temp. 320°C 1-pole 16A probe ϕ 3mm probe L 160mm capillary pipe 900mm capillary pipe isolatedmm gland nut 250V		

switches and momentary switches


microswitches

pin-plunger actuated

M10



1

Part No.	347288	Ref. No.	4611020	
description	microswitch with plunger thread M10x0.75 thread L 10mm 250V 16A 1NO connection male faston 6.3mm stroke 6mm mounting distance 22mm ambient temperature max. 125°C type VRSRB1AA1 actuating force: 160g			
accessories for	347288			
	Part No.	100779	Ref. No.	—
	nut thread M10x0.75 H 3mm WS 14 SS Qty 2 pcs			

magnetic switches

M10x0.75



1

Part No.	348190	Ref. No.	4611010
description	magnetic switch thread M10x0.75 1NO 100 DC/150 ACV 0.5A P max. 10W connection 2-wire cable length 1200mm		

lamps

oven lamps

universal oven lamps

mounting diameter 35.5mm



1

Part No.	357160	Ref. No.	4640010
description	lamp socket socket G9 220-230V mounting ϕ 35.5mm connection cable 100mm		



1

Part No.	359705	Ref. No.	4640020 7750041	
description	oven lamp glass thr. ϕ 33.5mm ϕ 52mm hard glas temp.-resist. 350°C			
accessories for	359705			
	Part No.	359610	Ref. No.	—
	light bulb t.max. 300°C socket E14 15W 230V ϕ 22mm L 47mm lens L 20mm for oven lamp type Philips			
	Part No.	359700	Ref. No.	—
	gasket for pizza oven fibre glass ID ϕ 32.5mm ED ϕ 55mm thickness 5mm			
	Part No.	359721	Ref. No.	—
	gasket silicone ED ϕ 48mm ID ϕ 39.5mm thickness 5mm Qty 1 pcs			
	Part No.	359837	Ref. No.	—
	gasket ID ϕ 33mm ED ϕ 46mm thickness 1mm graphite			
	Part No.	359838	Ref. No.	—
	gasket ID ϕ 33mm ED ϕ 45mm			



relays

power relays

with bracket mounting



1

Part No.	380687	Ref. No.	4582110
description	power relays FINDER 230VAC 30A 2NO connection F6.3 bracket mounting manuf. no. 66.82.8.230.0300		

solenoid valves

solenoid valves (water)

RPE

JOHN GUEST



1

Part No.	374069	Ref. No.	7711120
description	solenoid valve single straight 230VAC inlet JG 8 outlet JG 8 input/min output/min DN8 t.max. 25/60/90°C duty cycle 100% RPE 160001230V plastic		

solenoid valves with reducers

single



1

Part No.	374078	Ref. No.	7711110
description	solenoid valve 230VAC inlet JG 8 outlet JG 8 t.max. 60°C RPE flow regulating valve outlet brown output A 0.07-0.14l/min		

ignition parts

pilot burners

SIT

100 series

accessories

pilot burner bottom parts



1

Part No.	107770	Ref. No.	36430130 C36430130
description	pilot burner bottom part SIT 100 series nozzle ø 0.3mm gas connection 4mm Qty 1 pcs		

producer-specific pilot burners

PRIMAX



1

Part No.	107771	Ref. No.	C31140080
description	cover for pilot burner		



1

Part No.	107770	Ref. No.	36430130 C36430130
description	pilot burner bottom part SIT 100 series nozzle ø 0.3mm gas connection 4mm Qty 1 pcs		



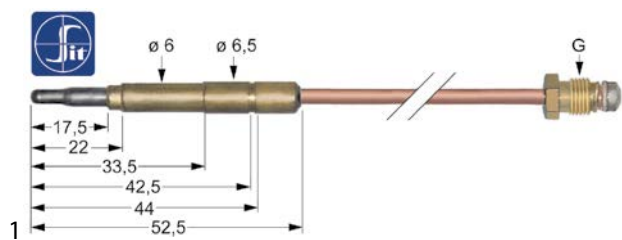
thermocouples

plug-in thermocouples

plug-in thermocouples standard

with barrel socket ø6(6.5)mm

thermocouples SIT



Part No.	107769 ¹	Ref. No.	36430050 C36430050
description	thermocouple SIT aluminized tip M9x1 L 400mm plug connection ø6.0(6.5)mm		

¹aluminized tip

gas burners

hob burners

universal hob burners

ARC

65 series



Part No.	104310	Ref. No.	32310070 C32310070
description	burner cap 3kW ED ø 73mm seat ø 67mm chrome-plated		



Part No.	104315	Ref. No.	32310080 C32310080
description	burner cap 4.5kW ED ø 104mm seat ø 98mm chrome-plated		



Part No.	104320	Ref. No.	32310090 C32310090
description	burner cap 7.5kW ED ø 128mm ID ø 70mm seat ø 119.6mm chrome-plated		



Part No.	104311	Ref. No.	32310040 C32310040
description	burner head 3kW for burner cap ø 73mm seat ø 67mm chrome-plated		

accessories for 104311

Part No.	104310	Ref. No.	32310070 C32310070
description	burner cap 3kW ED ø 73mm seat ø 67mm chrome-plated		

Part No.	104316	Ref. No.	32310050 C32310050
description	burner head 4.5kW for burner cap ø 104mm ED ø 136mm seat ø 98mm enamelled		

Part No.	104321	Ref. No.	32310060 C32310060
description	burner head 7.5kW for burner cap ø 128mm ED ø 151mm seat ø 120mm chrome-plated		

Part No.	104327	Ref. No.	3231010
description	burner pipe 3kW L 93mm total length 108mm air mixer ø 14mm ED ø 26.6mm ID ø 20.7mm		

Part No.	104328	Ref. No.	32310020
description	burner pipe 4.5kW L 93mm total length 108mm air mixer ø 18.2mm ED ø 32.9mm ID ø 22.7mm		

Part No.	104329	Ref. No.	32310030
description	burner pipe 7.5kW L 93mm total length 108mm air mixer ø 29.7mm ED ø 33.8mm ID ø 27.6mm		


producer-specific hob burners



PRIMAX

Part No.	104310	Ref. No.	32310070 C32310070
description	burner cap 3kW ED ø 73mm seat ø 67mm chrome-plated		


Part No.	104315	Ref. No.	32310080 C32310080
description	burner cap 4.5kW ED ø 104mm seat ø 98mm chrome-plated		





			
1			
Part No.	104320	Ref. No.	32310090 C32310090
description	burner cap 7.5kW ED ø 128mm ID ø 70mm seat ø 119.6mm chrome-plated		


			
1			
Part No.	104311	Ref. No.	32310040 C32310040
description	burner head 3kW for burner cap ø 73mm seat ø 67mm chrome-plated		
accessories for	104311		
	Part No.	104310	Ref. No. 32310070 C32310070
	burner cap 3kW ED ø 73mm seat ø 67mm chrome-plated		

			
1			
Part No.	104316	Ref. No.	32310050 C32310050
description	burner head 4.5kW for burner cap ø 104mm ED ø 136mm seat ø 98mm enamelled		

			
1			
Part No.	104321	Ref. No.	32310060 C32310060
description	burner head 7.5kW for burner cap ø 128mm ED ø 151mm seat ø 120mm chrome-plated		

			
1			
Part No.	104327	Ref. No.	3231010
description	burner pipe 3kW L 93mm total length 108mm air mixer ø 14mm ED ø 26.6mm ID ø 20.7mm		

			
1			
Part No.	104328	Ref. No.	32310020
description	burner pipe 4.5kW L 93mm total length 108mm air mixer ø 18.2mm ED ø 32.9mm ID ø 22.7mm		

			
1			
Part No.	104329	Ref. No.	32310030
description	burner pipe 7.5kW L 93mm total length 108mm air mixer ø 29.7mm ED ø 33.8mm ID ø 27.6mm		

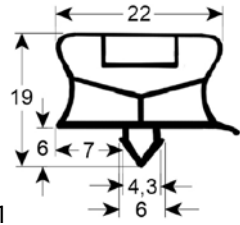
gaskets

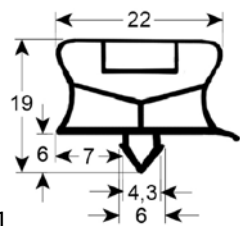
refrigeration gaskets

plug-in gaskets

profile 9794

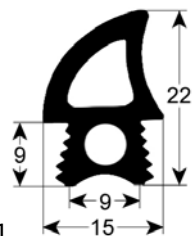
We offer custom-made gaskets for this profile

			
1			
Part No.	901453	Ref. No.	C4480180
description	refrigeration gasket profile 9794 W 380mm L 270mm plug size		

			
1			
Part No.	901452	Ref. No.	C4480150
description	refrigeration gasket profile 9794 W 380mm L 585mm plug size		

gaskets for heated units

door seals

			
1			
Part No.	901997	Ref. No.	3530100
description	door seal profile 2767 L 2200mm		

GASTROPARTS.COM

