



**GASTROPARTS**

# IMESA

- [EN]** Equipment
- [DE]** Geräte
- [ES]** Aparatos
- [FR]** Équipement
- [IT]** Attrezzature
- [PL]** Urządzenia
- [RU]** Оборудование

✉ [gastroparts@gastroparts.com](mailto:gastroparts@gastroparts.com)

☎ +48 56 657 00 66

📘 [fb.com/gastroparts.global](https://fb.com/gastroparts.global)



**GASTROPARTS.COM**





## heating elements

### heating elements for pasta cookers


			
<b>Part No.</b>	419078	<b>Ref. No.</b>	6A037220
<b>description</b>	heating element 9000W 230V heating circuits 3 L 480mm W 34mm H 52mm tube $\varnothing$ 8.5mm thermostat sleeves $\varnothing$ 7.5mm length thermostat sleeves 215mm H1 17mm H2 35mm mounting $\varnothing$ 47.5mm number of thermostat sleeves 1 thermostat sleeve eccentric, clinging immersion heater		
<b>accessories for</b>	419078		
			
<b>Part No.</b>	510408	<b>Ref. No.</b>	—
<b>description</b>	O-ring EPDM thickness 5.34mm ID $\varnothing$ 47mm Qty 1 pcs		

## switches and momentary switches

### microswitches


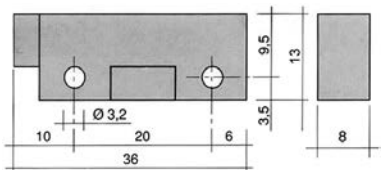

#### pin-plunger actuated

M10

			
<b>Part No.</b>	347216	<b>Ref. No.</b>	2950MSIOB
<b>description</b>	microswitch with plunger thread M10x0.75 thread L 14mm 250V 10A 1CO connection male faston 6.3mm stroke 7.5mm mounting distance 22mm L 28mm ambient temperature max. 125°C type NR6K5 actuating force: 260g		


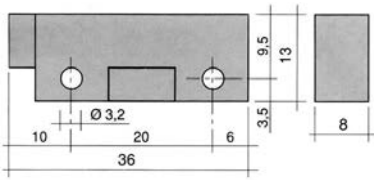
### magnetic switches

36x13mm

			
			
<b>Part No.</b>	345335	<b>Ref. No.</b>	2950SENSM510
<b>description</b>	magnetic switch L 36mm W 13mm 1NO 250V 0.04A P max. 10W connection cable cable length 960mm		
<b>accessories for</b>	345335		
			
<b>Part No.</b>	519049	<b>Ref. No.</b>	—
<b>description</b>	magnet $\varnothing$ mm L 63mm H 10.7mm W 18.8mm hole distance 52mm M2 hole $\varnothing$ 2mm		

## accessories

### magnets






			
			
<b>Part No.</b>	345398	<b>Ref. No.</b>	2950MAGNE302 2950MAGNM302
<b>description</b>	magnet $\varnothing$ mm L 36mm H 8mm W 13mm hole distance 20mm M3 hole $\varnothing$ 3mm		

## electronic controllers

### ELIWELL

#### universal controllers

##### built-in version

			
<b>Part No.</b>	379559	<b>Ref. No.</b>	2950EW901SON
<b>description</b>	electronic controller ELIWELL type IC901 mounting measurements 71x29mm 12V voltage AC/DC NTC/PTC relay outputs 1 relay refrigeration front measurements 74x32mm built-in depth 60mm protection IP65 accuracy superior to 0.5% from final value% defr. funct. no -55 up to +150°C display 2½ digit TempIn1 yes 15A		
<b>accessories for</b>	379559		
			
<b>Part No.</b>	379053	<b>Ref. No.</b>	—
<b>description</b>	temperature probe PTC 1kOhm cable PVC probe -50 up to +150°C cable -10 up to 100°C probe $\varnothing$ 6x30mm cable length 3m without screw connection 2-wire		
			
<b>Part No.</b>	379064	<b>Ref. No.</b>	—
<b>description</b>	temperature probe PTC 1kOhm cable silicone probe -50 up to +150°C cable -50 up to +180°C probe $\varnothing$ 6x40mm cable length 3m without screw connection 2-wire		
			
<b>Part No.</b>	379161	<b>Ref. No.</b>	—
<b>description</b>	temperature probe NTC 10kOhm cable thermoplastic probe -40 up to +110°C cable -40 up to +110°C probe $\varnothing$ 6x14mm cable length 3m without screw connection 2-wire		
			
<b>Part No.</b>	379782	<b>Ref. No.</b>	—
<b>description</b>	temperature probe PTC 1kOhm cable thermoplastic probe -50 up to +150°C cable -40 up to +110°C probe $\varnothing$ 6x14mm cable length 3m 2-wire resistor 1kOhm		



## solenoid valves

## solenoid valves (water)

## RPE



1

<b>Part No.</b>	374006	<b>Ref. No.</b>	2953 EA1D3522
-----------------	--------	-----------------	---------------

**description** solenoid valve single straight 230VAC inlet 3/4" outlet 13mm input 10l/min DN10 RPE

**spare parts for** 374006



<b>Part No.</b>	371015	<b>Ref. No.</b>	—
-----------------	--------	-----------------	---

solenoid coil RPE 230VAC 8.4VA 50/60Hz seat  $\varnothing$  9mm connection male faston 6.3mm

## solenoid valves with reducers

## 2-fold



1

<b>Part No.</b>	374007	<b>Ref. No.</b>	2953EA2D3522
-----------------	--------	-----------------	--------------

**description** solenoid valve double straight 230VAC inlet 3/4" outlet 14mm input 10-12l/min RPE

**spare parts for** 374007



<b>Part No.</b>	371015	<b>Ref. No.</b>	—
-----------------	--------	-----------------	---

solenoid coil RPE 230VAC 8.4VA 50/60Hz seat  $\varnothing$  9mm connection male faston 6.3mm

## metal

## M&amp;M

## 2-way

## B204/205/206 series



1

<b>Part No.</b>	370076	<b>Ref. No.</b>	2950EA180522 2950EASNCG34
-----------------	--------	-----------------	------------------------------

**description** solenoid valve 2-ways 230VAC connection 3/4" L 82mm DN 25mm slide-on receptacle compact -10 up to +90°C M&M type series B204/205/206 coil type 2700 membranes NBR (water) p max 16bar p min 0.3bar

**spare parts for** 370076



<b>Part No.</b>	371022	<b>Ref. No.</b>	—
-----------------	--------	-----------------	---

solenoid coil M&M 230VAC 10VA 50Hz coil type 2700 seat  $\varnothing$  10mm

**accessories for** 370076



<b>Part No.</b>	371091	<b>Ref. No.</b>	—
-----------------	--------	-----------------	---

power socket plug type DIN 43650B cable lengthmm small

## D-890 series



1

<b>Part No.</b>	370683	<b>Ref. No.</b>	2950ES340NCV
-----------------	--------	-----------------	--------------

**description** solenoid valve 2-ways 230VAC inlet 3/4" outlet 3/4" connection 3/4" L 85mm DN 11.5mm t.max. 150°C slide-on receptacle DIN -10 up to +150°C type series D890DPV coil type 7701 p max 4.5bar p min 0.3bar 50/60Hz brass voltage AC

## drain valves



1

<b>Part No.</b>	370789	<b>Ref. No.</b>	2754DODNO222
-----------------	--------	-----------------	--------------

**description** drain valve 220-240V 50/60Hz NO inlet 50mm outlet 50/35mm MDB-O-2-SO



1

<b>Part No.</b>	371138	<b>Ref. No.</b>	2754DODNO322
-----------------	--------	-----------------	--------------

**description** drain valve 230V 50/60Hz electric inlet 77mm outlet 80/35mm model MDB-O-3

## pressure switches

## for gas equipment



1

<b>Part No.</b>	542130	<b>Ref. No.</b>	ES10/34 +E130501
-----------------	--------	-----------------	------------------

**description** pressure control  $\varnothing$  82mm kit 250V

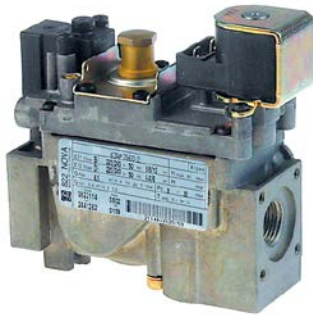


## gas valves and ignition boxes









### gas control valves

SIT

NOVASIT



1

<b>Part No.</b>	101914	<b>Ref. No.</b>	3970VA822220
<b>description</b>	gas valve SIT series Novasit 822 230V 50Hz gas inlet 1/2" gas outlet 1/2" thermocouple connection pilot connection closed ignition pressurembar pressure range 3-30mbar pressure regulator connection blind equiv. no. 0.822.144		
<b>spare parts for</b>	101914		
	<b>Part No.</b>	101313	<b>Ref. No.</b> —
	solenoid coil 230V 50Hz		
	<b>Part No.</b>	101542	<b>Ref. No.</b> —
	solenoid coil 50Hz NOVA 822/826/827 suitable for NOVASIT 230V		
<b>accessories for</b>	101914		
	<b>Part No.</b>	101305	<b>Ref. No.</b> —
	gas connection straight 1/2" flange 45x45mm ELETTROSIT/V4400/4600/4605 suitable for SIT/HONEYWELL hole distance 36x36mm		
	<b>Part No.</b>	101306	<b>Ref. No.</b> —
	gas connection angled flange 45x45mm hole distance 36x36mm 1/2" ELETTROSIT/V4400/4600/4605 screw with O-ring suitable for SIT/HONEYWELL		
	<b>Part No.</b>	101307	<b>Ref. No.</b> —
	gas connection straight flange 45x45mm hole distance 36x36mm 3/4" ELETTROSIT/V4400/4600/4605 screw with O-ring suitable for SIT/HONEYWELL		
	<b>Part No.</b>	101308	<b>Ref. No.</b> —
	gas connection angled flange 45x45mm hole distance 36x36mm 3/4" ELETTROSIT/V4400/4600/4605 screw with O-ring suitable for SIT/HONEYWELL		
	<b>Part No.</b>	101503	<b>Ref. No.</b> —
	O-ring EPDM thickness 2mm ID ø 32mm Qty 1 pcs		
	<b>Part No.</b>	101924	<b>Ref. No.</b> —
	plug with cable L 1090mm suitable for NOVA 822/826/827		

## auxiliary gas parts

### pressure switches



1

<b>Part No.</b>	542130	<b>Ref. No.</b>	ES10/34 +E130501
<b>description</b>	pressure control ø 82mm kit 250V		

## transmission technology and ball bearings

### ball bearings

#### deep-groove ball bearings 2Z



1

<b>Part No.</b>	692000	<b>Ref. No.</b>	1937C62022Z ASK8004439
<b>description</b>	deep-groove ball bearing shaft ø 15mm ED ø 35mm W 11mm type 6202-2Z DIN 625-1		

**GASTRO**PARTS.COM

