



GASTROPARTS

Henny-Penny

- [EN]** Equipment
- [DE]** Geräte
- [ES]** Aparatos
- [FR]** Équipement
- [IT]** Attrezzature
- [PL]** Urządzenia
- [RU]** Оборудование

✉ gastroparts@gastroparts.com

☎ +48 56 657 00 66

📘 fb.com/gastroparts.global

GASTROPARTS.COM






heating elements

immersion heating elements

miscellaneous



1

Part No.	417694	Ref. No.	44.00.194 HP44.00.194
description	heating element 9000W 230V heating circuits 3 L 192mm W 39mm H 68mm hole distance 90mm hole ø 8mm thermostat sleeves ø 2.5/6.5mm length thermostat sleeves 155mm number of thermostat sleeves 2 thermostat sleeve eccentric, clinging flange length 82mm flange width 82mm tube ø 6.5mm cable length 200mm immersion heater 5 hole flange		

thermostats

control and safety thermostats


INVENSYS / ROBERTSHAW

control thermostats



1

Part No.	376035	Ref. No.	50016 HP50016
description	thermostat t.max. 121°C temperature range 15.5-121°C 1-pole 1NOA probe ø 8.4mm probe L 98mm capillary pipe 1130mm capillary pipe isolatedmm gland nut shaft ø 6x4.6mm shaft L 20mm shaft position right with extended shaft 60-250°F		




1

Part No.	376034	Ref. No.	14293 HP14293
description	thermostat t.max. 204°C temperature range 93-204°C 1-pole 1NOA probe ø 8mm probe L 128mm capillary pipe 570mm capillary pipe isolatedmm gland nut 5/16" UNF shaft ø 6x4.6mm shaft L 20mm shaft position right 200-400°F		


switches and momentary switches

rocker/momentary rocker switches

30x22mm




1

Part No.	346377	Ref. No.	43768 6716594 72277
description	rocker switch mounting measurements 30x22mm black 2CO 230V 16A 0-I connection male faston 6.3mm ambient temperature max. 125/55°C protection IP40		
accessories for	346377		
	Part No.	301036	Ref. No. —
	protective cover internal size 30x22mm for rocker switch mounting measurementsmm		

relays

power relays

with bracket mounting



1

Part No.	381155	Ref. No.	6716568 HPME90-003
description	power relays 12VDC 20A 2CO connection male faston 6.3mm bracket mounting 240V 2-pole		

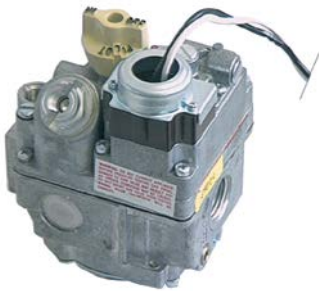


gas valves and ignition boxes







gas control valves

ROBERTSHAW

electric controlled valves



1

Part No.	580044	Ref. No.	16216 HP16216
description	gas valve supply 120VAC 50/60Hz gas inlet 3/4" NPT gas outlet 3/4" NPT thermocouple connection 11/32" pilot connection 1/4" CCT type 7000BER-120 pressure controller natural gas 3.5" W.C. suitable for ROBERTSHAW		
spare parts for	580044		
	Part No.	101047	Ref. No. —
	magnet unit T1: ASA 11/32 T2: M24x1 L 59mm ø 4mm suitable for ROBERTSHAW		
	Part No.	101389	Ref. No. —
	pressure controller natural gas suitable for ROBERTSHAW		
	Part No.	106109	Ref. No. —
	locking screw thread 7/16"-24 UNS for pipe ø 1/4" L 16mm brass Qty 1 pcs WS 7/16" (11.113mm) hole ø 6.4mm		
	Part No.	580033	Ref. No. 16267 HP16267
	knob suitable for ROBERTSHAW		
accessories for	580044		
	Part No.	102122	Ref. No. —
	thermocouple ROBERTSHAW ASA 11/32 L 18" - 455mm 7/16"		
	Part No.	102277	Ref. No. —
	thermocouple ROBERTSHAW ASA 11/32 L 36" - 915mm 7/16"		

gas controlled valves



1

Part No.	106923	Ref. No.	38276 HP38276
description	gas valve 60Hz type 7000BDER-S7A supply 24VAC		

ignition parts

pilot burners

ROBERTSHAW

pilot burners

universal series with electrodes



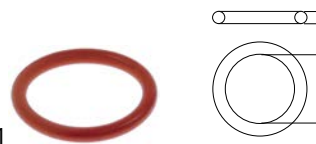
1

Part No.	106094	Ref. No.	140095 52075 HP140095 HP52075
description	pilot burner ROBERTSHAW type 6S14-2R 3 flames natural gas code 26 for pipe ø 1/4" CCT		

gaskets

O-rings

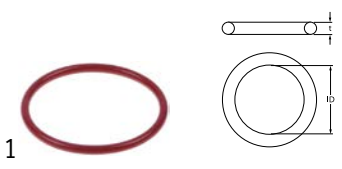
silicone



1

Part No.	532727	Ref. No.	10.00.512 HP10.00.512
description	O-ring silicone thickness 3.5mm ID ø 26mm Qty 5 pcs for model SCC, CM		




			
1			
Part No.	532728	Ref. No.	10.00.511 HP10.00.511
description	O-ring silicone thickness 3.5mm ID ø 46mm Qty 5 pcs for model SCC, CM		

fastening material

nuts

hexagonal nuts

hexagonal nuts inch thread

			
1			
Part No.	506399	Ref. No.	NS03018
description	nut thread 3/4" H 3mm WS 32 brass Qty 1 pcs		

GASTROPARTS.COM

