



**GASTROPARTS**

# Futurmat

- [EN]** Equipment
- [DE]** Geräte
- [ES]** Aparatos
- [FR]** Équipement
- [IT]** Attrezzature
- [PL]** Urządzenia
- [RU]** Оборудование

✉ [gastroparts@gastroparts.com](mailto:gastroparts@gastroparts.com)

☎ +48 56 657 00 66

📘 [fb.com/gastroparts.global](https://fb.com/gastroparts.global)


**GASTROPARTS.COM**












# heating elements

## heating elements for coffee machine


			
1			
<b>Part No.</b>	417116	<b>Ref. No.</b>	N/A
<b>description</b>	heating element 1800W 230V heating circuits 2 mounting $\varnothing$ 42mm hole distance 74mm L 240mm W 36mm H 44mm L1 25mm L2 40mm L3 173mm H1 31mm H2 12mm hole $\varnothing$ 9mm tube $\varnothing$ 8.5mm thermostat sleeves $\varnothing$ 6mm length thermostat sleeves 205mm thermostat sleeve not clinging number of thermostat sleeves 1 connection M4 immersion heater 2 hole flange		

			
1			
<b>Part No.</b>	417001	<b>Ref. No.</b>	02212439
<b>description</b>	heating element 2600W 230V heating circuits 2 mounting $\varnothing$ 42mm hole distance 74mm L 330mm W 30mm H 60mm L1 23mm L2 65mm L3 202mm H1 30mm H2 30mm hole $\varnothing$ 12mm tube $\varnothing$ 8.5mm thermostat sleeves $\varnothing$ 7mm length thermostat sleeves 195mm thermostat sleeve eccentric, non clinging number of thermostat sleeves 1 connection M6 immersion heater 2 hole flange		
<b>accessories for</b>	417001		
	<b>Part No.</b>	<b>Ref. No.</b>	N/A
	528002		
	flat gasket PTFE ED $\varnothing$ 57mm ID $\varnothing$ 42mm thickness 3mm Qty 1 pcs equiv. no. 12001/W10470 suitable for		
	<b>Part No.</b>	<b>Ref. No.</b>	—
	528488		
	flat gasket fibre ED $\varnothing$ 57mm ID $\varnothing$ 42mm thickness 3mm Qty 1 pcs		


			
1			
<b>Part No.</b>	417008	<b>Ref. No.</b>	N/A
<b>description</b>	heating element 2600W 230V heating circuits 2 mounting $\varnothing$ 42mm hole distance 74mm L 360mm W 26mm H 155mm L1 49mm L2 51mm L3 260mm H1 130mm H2 25mm hole $\varnothing$ 9mm tube $\varnothing$ 8mm connection M4 immersion heater 2 hole flange		
<b>spare parts for</b>	417008		
	<b>Part No.</b>	<b>Ref. No.</b>	—
	528488		
	flat gasket fibre ED $\varnothing$ 57mm ID $\varnothing$ 42mm thickness 3mm Qty 1 pcs		
<b>accessories for</b>	417008		
	<b>Part No.</b>	<b>Ref. No.</b>	N/A
	528002		
	flat gasket PTFE ED $\varnothing$ 57mm ID $\varnothing$ 42mm thickness 3mm Qty 1 pcs equiv. no. 12001/W10470 suitable for		

			
1			
<b>Part No.</b>	417290	<b>Ref. No.</b>	08024804
<b>description</b>	heating element 3000W 230V heating circuits 2 mounting $\varnothing$ 42mm hole distance 74mm L 250mm W 28mm H 65mm L1 20mm L2 40mm L3 190mm H1 30mm H2 35mm hole $\varnothing$ 10mm tube $\varnothing$ 8.3mm thermostat sleeves $\varnothing$ 7mm length thermostat sleeves 210mm number of thermostat sleeves 1 connection M4 immersion heater 2 hole flange		

			
1			
<b>Part No.</b>	417108	<b>Ref. No.</b>	08148002
<b>description</b>	heating element 3500W 230V heating circuits 2 mounting $\varnothing$ 42mm hole distance 74mm L 380mm W 30mm H 50mm L1 25mm L2 70mm L3 275mm H1 25mm H2 25mm hole $\varnothing$ 10mm tube $\varnothing$ 8.5mm thermostat sleeves $\varnothing$ 7mm length thermostat sleeves 190mm thermostat sleeve not clinging number of thermostat sleeves 1 connection M4 immersion heater 2 hole flange		

			
1			
<b>Part No.</b>	417105	<b>Ref. No.</b>	02212538
<b>description</b>	heating element 3700W 230V heating circuits 2 mounting $\varnothing$ 42mm hole distance 74mm L 530mm W 28mm H 50mm L1 30mm L2 75mm L3 400mm H1 25mm H2 25mm hole $\varnothing$ 9mm tube $\varnothing$ 8.4mm thermostat sleeves $\varnothing$ 7.5mm length thermostat sleeves 185mm thermostat sleeve eccentric, non clinging number of thermostat sleeves 1 connection M6 immersion heater 2 hole flange suitable for FAEMA		


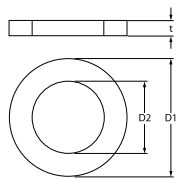
			
1			
<b>Part No.</b>	417187	<b>Ref. No.</b>	F..13
<b>description</b>	heating element 3700W 230V heating circuits 2 mounting $\varnothing$ 42mm hole distance 74mm L 570mm W 38mm H 48mm L1 25mm L2 60mm L3 485mm H1 26mm H2 12mm hole $\varnothing$ 10mm tube $\varnothing$ 8mm connection M4 immersion heater 2 hole flange		

			
1			
<b>Part No.</b>	417110	<b>Ref. No.</b>	02212637
<b>description</b>	heating element 5000W 230V heating circuits 2 mounting $\varnothing$ 42mm hole distance 74mm L 525mm W 26mm H 45mm L1 25mm L2 80mm L3 420mm H1 30mm H2 15mm hole $\varnothing$ 10mm tube $\varnothing$ 8.5mm thermostat sleeves $\varnothing$ 7mm length thermostat sleeves 210mm thermostat sleeve eccentric, non clinging number of thermostat sleeves 1 connection M6 immersion heater 2 hole flange windings 2		

## accessories

### sealing washers

#### PTFE gaskets

 			
1			
<b>Part No.</b>	528002	<b>Ref. No.</b>	N/A
<b>description</b>	flat gasket PTFE ED $\varnothing$ 57mm ID $\varnothing$ 42mm thickness 3mm Qty 1 pcs equiv. no. 12001/W10470 suitable for		



## thermostats

## bi-metal thermostats

## bi-metal thermostats



1

<b>Part No.</b>	390319	<b>Ref. No.</b>	08368400
<b>description</b>	bi-metal thermostat hole distance 23.8mm switch-off temp. 80°C 1NC 1-pole 16A connection F6.3 2 hole fixing		

## switches and momentary switches

## microswitches

## pin-plunger actuated



1

<b>Part No.</b>	345105	<b>Ref. No.</b>	N/A
<b>description</b>	microswitch with plunger 250V 16A 1CO connection male faston 6.3mm L 28mm ambient temperature max. 125°C mounting distance 22mm type SM-51 actuating force: 280g black		

## rotary switches

## accessories

## symbol labels



1

<b>Part No.</b>	347265	<b>Ref. No.</b>	08283202
<b>description</b>	symbol label 0-1-heating off ø 53mm bore ø 7mm mounting distance 28mm		

## electronics

## PCBs



1

<b>Part No.</b>	402385	<b>Ref. No.</b>	08264301
<b>description</b>	display L 131mm W 47mm with keypad		

## keypads

## front foils



1

<b>Part No.</b>	401434	<b>Ref. No.</b>	08109600
<b>description</b>	keypad foil coffee machine Arienne/Arieta 1-2-3-4 gr. L 92mm W 26mm buttons 5		



1

<b>Part No.</b>	400442	<b>Ref. No.</b>	08274201
<b>description</b>	keypad foil L 80mm W 44mm buttons 5		

## solenoid valves

## solenoid valves (water)

## metal

## PARKER

## spare parts and accessories

## valve bodies



1

<b>Part No.</b>	370062	<b>Ref. No.</b>	FS03 FS09
-----------------	--------	-----------------	--------------

<b>description</b>	solenoid valve body PARKER 3-ways outer cone		
--------------------	--	--	--

<b>accessories for</b>	370062		
------------------------	--------	--	--



<b>Part No.</b>	371029	<b>Ref. No.</b>	—
<b>description</b>	solenoid coil PARKER 230VAC 9VA coil type ZB09 seat ø 14mm H 33mm W 34mm D 43mm		



<b>Part No.</b>	371030	<b>Ref. No.</b>	—
<b>description</b>	solenoid coil 24VDC 12VA coil type ZB12 seat ø 14mm		



<b>Part No.</b>	371033	<b>Ref. No.</b>	—
<b>description</b>	solenoid coil PARKER 230VAC 9VA coil type YB09 with cable seat ø 14mm		



<b>Part No.</b>	371036	<b>Ref. No.</b>	—
<b>description</b>	solenoid coil 24VAC 9VA coil type ZB09 seat ø 14mm		



<b>Part No.</b>	371095	<b>Ref. No.</b>	—
<b>description</b>	O-ring Viton thickness 1.78mm ID ø 6.07mm Qty 1 pcs		



<b>Part No.</b>	371100	<b>Ref. No.</b>	—
<b>description</b>	O-ring silicone thickness 1.78mm ID ø 6.07mm Qty 1 pcs		



## flow meters and flow sensors

### flow meters

#### accessories universal



1

**Part No.** 400319 **Ref. No.** N/A

**description** adapter for flow meter

## pumps

### booster pumps II

#### pump heads

##### FLUID-O-TECH



1

**Part No.** 500064 **Ref. No.** 07822109

**description** pump head PO204 FLUID-O-TECH L 82mm 200/h connection 3/8" GAS with bypass brass clip connection for coffee machine shaft ø 4.8x11mm

**accessories for** 500064



**Part No.** 520126 **Ref. No.** —

clamp for pump/motor

## equipment-specific units

### for espresso machines

#### filter holders

##### filter holders standard

##### filter holders (complete)



1

**Part No.** 531173 **Ref. No.** 08485800

**description** filter holder 1-way suitable for FUTURMAT complete number of wedges 2



1

**Part No.** 531174 **Ref. No.** 08485900

**description** filter holder 2-way suitable for FUTURMAT complete number of wedges 2

#### filter holders short



1

**Part No.** 529124 **Ref. No.** N/A

**description** filter holder mounting ø 82mm outlet 3/8" ID ø 62mm handle M12x1.75 wedge height 10.5mm wedge position horizontal number of wedges 2 lever straight chrome-plated brass



1

**Part No.** 529150 **Ref. No.** N/A

**description** filter holder mounting ø 82mm outlet 3/8" ID ø 62mm handle M8x1.25 wedge height 10.5mm wedge position horizontal number of wedges 2 lever straight chrome-plated brass

#### handles

##### with external thread



1

**Part No.** 529121 **Ref. No.** N/A

**description** handle for filter holder ø 35mm thread M12 thread L 15mm L 125mm black plastic



1

**Part No.** 529116 **Ref. No.** N/A

**description** handle ø 35mm thread M12x1.75 thread L 15mm L 120mm

## filters

for 1 cup



1

<b>Part No.</b>	527631	<b>Ref. No.</b>	N/A
<b>description</b>	coffee filter ø 70mm mounting ø 60.7mm H 17mm cups 1 amount of coffee 8g		

## brewing units

filter holder gaskets

flat

with bevel 45x2



1

<b>Part No.</b>	528042	<b>Ref. No.</b>	N/A
<b>description</b>	filter holder gasket with bevel 45x2 D1 ø 72mm D2 ø 56mm H 8mm		

## steam/water taps

steam/water taps

steam/water taps



1

<b>Part No.</b>	529520	<b>Ref. No.</b>	N/A
<b>description</b>	steam/water tap suitable for FUTURMAT		

spare parts for 529520



<b>Part No.</b>	529251	<b>Ref. No.</b>	—
<b>description</b>	O-ring EPDM thickness 2.62mm ID ø 15.08mm Qty 1 pcs		

## components

gaskets



1

<b>Part No.</b>	528648	<b>Ref. No.</b>	11181302
<b>description</b>	gasket D1 ø 12.2mm thickness 6mm		

## steam/water pipes

steam pipes



1

<b>Part No.</b>	529521	<b>Ref. No.</b>	N/A
<b>description</b>	steam pipe complete		

## water pipes



1

<b>Part No.</b>	529586	<b>Ref. No.</b>	N/A
<b>description</b>	water pipe L 130mm		

## fine filters

fine filters



1

<b>Part No.</b>	529911	<b>Ref. No.</b>	02435808
<b>description</b>	fine filter flat ø 11mm H 0.25mm		

## level glasses

level glasses

level glass pipes



1

<b>Part No.</b>	529367	<b>Ref. No.</b>	08181703
<b>description</b>	water level tube ø 11mm H 108mm		

## knobs

steam/water taps


steam/water taps




1


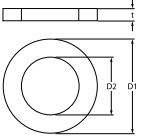
<b>Part No.</b>	111063	<b>Ref. No.</b>	08185911
<b>description</b>	knob ø 50mm black		


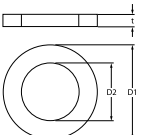



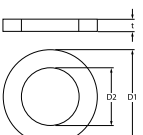
			
1			
<b>Part No.</b>	111020	<b>Ref. No.</b>	07678709
<b>description</b>	knob zero mark white ø 38mm shaft ø 6x5mm shaft flat on both sides black		

knob dial plates			
			
1			
<b>Part No.</b>	528760	<b>Ref. No.</b>	08185804
<b>description</b>	knob adapter ø 45mm L 43mm		


## gaskets


O-rings			
EPDM			
 			
1			
<b>Part No.</b>	529412	<b>Ref. No.</b>	08291007
<b>description</b>	O-ring EPDM thickness 2.62mm ID ø 10.78mm Qty 1 pcs		


Viton			
 			
1			
<b>Part No.</b>	528647	<b>Ref. No.</b>	02078004
<b>description</b>	O-ring Viton thickness 2.62mm ID ø 15.08mm Qty 1 pcs		

 			
1			
<b>Part No.</b>	528649	<b>Ref. No.</b>	02476703
<b>description</b>	O-ring Viton thickness 2mm ID ø 6mm Qty 1 pcs		


## sealing washers


copper gaskets			
DIN-7603-C			
			
1			
<b>Part No.</b>	528520	<b>Ref. No.</b>	02455103
<b>description</b>	gasket copper ED ø 22mm ID ø 16mm thickness 2mm		

PTFE gaskets			
			
1			
<b>Part No.</b>	528524	<b>Ref. No.</b>	N/A
<b>description</b>	flat gasket PTFE ED ø 36.5mm ID ø 30.5mm thickness 2mm Qty 1 pcs		

			
1			
<b>Part No.</b>	528002	<b>Ref. No.</b>	N/A
<b>description</b>	flat gasket PTFE ED ø 57mm ID ø 42mm thickness 3mm Qty 1 pcs equiv. no. 12001/W10470 suitable for		

## special gaskets

group gaskets			
			
1			
<b>Part No.</b>	528115	<b>Ref. No.</b>	N/A
<b>description</b>	group gasket L 79mm W 72mm thickness 2mm hole distance 55mm suitable for FAEMA/FUTURMAT fibre		

			
1			
<b>Part No.</b>	528113	<b>Ref. No.</b>	N/A
<b>description</b>	group gasket L 80mm W 23mm thickness 2mm suitable for FAEMA/FUTURMAT		



## springs

### compression springs



1

**Part No.** 528758 **Ref. No.** 08018707

**description** compression spring ø 29.6mm L 28mm wire gauge ø 1.5mm



1

**Part No.** 528668 **Ref. No.** 07507304

**description** compression spring ø 6.9mm L 28mm wire gauge ø 1mm

## manometers



1

**Part No.** 541713 **Ref. No.** 08130600

**description** manometer double scale ø 60mm pressure range 0-2.5 / 0-16bar connection on the backside thread 1/8"



1

**Part No.** 541281 **Ref. No.** N/A

**description** manometer ø 53mm pressure range 0 up to 20bar thread 1/4" connection on the backside

**GASTRO**PARTS.COM

