



GASTROPARTS

Classeq

- [EN]** Equipment
- [DE]** Geräte
- [ES]** Aparatos
- [FR]** Équipement
- [IT]** Attrezzature
- [PL]** Urządzenia
- [RU]** Оборудование

✉ gastroparts@gastroparts.com

☎ tel. +48 56 657 00 66

📘 fb.com/gastroparts.global

GASTROPARTS.COM





heating elements

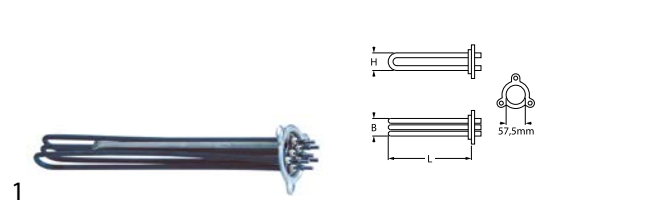
immersion heating elements




3 hole flange ø35.0mm




| | | | |
|---|--|-----------------|--------------------|
| Part No. | 416211 | Ref. No. | 30004742 9.9.14 |
| description | heating element 2700W 230V heating circuits 1 mounting ø 35mm L 300mm W 25mm H 24mm tube ø 6.3mm hole distance 44mm hole ø 10mm connection male faston 6.3mm immersion heater 3 hole flange connection length 15mm | | |
| accessories for | 416211 | | |
|  | Part No. | 507048 | Ref. No. — |
| | gasket ID ø 30mm silicone thickness 3mm hole ø 10mm hole distance 41mm for heating element warewashing | | |

3 hole flange ø57.5mm



| | | | |
|---|--|-----------------|-----------------------------------|
| Part No. | 416214 | Ref. No. | 30004984 HY306 |
| description | heating element 6000W 230V mounting ø 57.5mm heating circuits 3 L 410mm W 32mm H 50mm thermostat sleeves ø 8.5mm length thermostat sleeves 270mm thermostat sleeve upper centre not clinging tube ø 8.5mm hole distance 70mm hole ø 10mm connection length 30mm connection M5 3 hole flange immersion heater | | |
| spare parts for | 416214 | | |
|  | Part No. | 510409 | Ref. No. 30004986 HY307 |
| | O-ring EPDM thickness 5.34mm ID ø 56.52mm Qty 1 pcs | | |
| accessories for | 416214 | | |
|  | Part No. | 510409 | Ref. No. 30004986 HY307 |
| | O-ring EPDM thickness 5.34mm ID ø 56.52mm Qty 1 pcs | | |
|  | Part No. | 520332 | Ref. No. — |
| | protection cap for heating element | | |

with round flange ø47.5mm

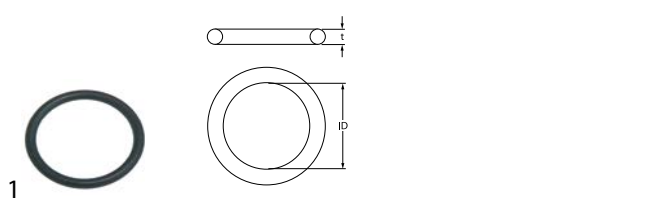


| | | | |
|--------------------|--|-----------------|----------------------|
| Part No. | 419194 | Ref. No. | 30000972 550.0001 |
| description | heating element 6000W 230V heating circuits 3 L 285mm W 32mm H 48mm tube ø 6.5mm thermostat sleeves ø 7mm number of thermostat sleeves 1 thermostat sleeve upper | | |

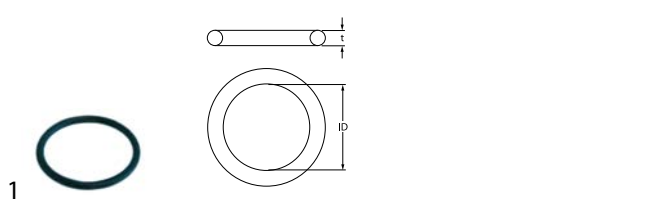
accessories

sealing washers

O-rings



| | | | |
|--------------------|--|-----------------|----------------------|
| Part No. | 510408 | Ref. No. | 30004278 45.60.02 |
| description | O-ring EPDM thickness 5.34mm ID ø 47mm Qty 1 pcs | | |




| | | | |
|--------------------|---|-----------------|-------------------|
| Part No. | 510409 | Ref. No. | 30004986 HY307 |
| description | O-ring EPDM thickness 5.34mm ID ø 56.52mm Qty 1 pcs | | |

thermostats

bi-metal thermostats

bi-metal thermostats



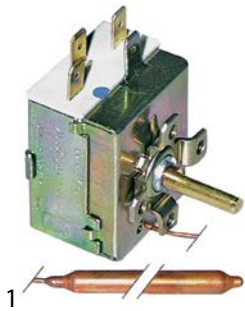
| | | | |
|--------------------|---|-----------------|----------------------|
| Part No. | 390755 | Ref. No. | 30006092 541.0010 |
| description | bi-metal thermostat hole distance 23.5mm switch-off temp. 70°C 1NC 1-pole connection F6.3 warewashing | | |





control and safety thermostats

IMIT / TEMPOMATIC / ARTHERMO

control thermostats



| | | | |
|---|--|-----------------|--------------------------------|
| Part No. | 390006 | Ref. No. | 30007713 7.12.1/2 DRT13L |
| description | thermostat t.max. 86°C temperature range 0-86°C 1-pole 1CO 16A probe ø 6.5mm probe L 95mm capillary pipe 1500mm capillary pipe isolatedmm gland nut shaft ø 6x4.6mm shaft L 19mm rotation 270° | | |
| accessories for | 390006 | | |
|  | Part No. | 110100 | Ref. No. — |
| | knob thermostat t.max. 90°C 0-90°C ø 42mm shaft ø 6x4.6mm shaft flat -135° black | | |
|  | Part No. | 110105 | Ref. No. — |
| | rosette knob ø 42mm ø 56mm zero mark | | |

ø19mm






| | | | |
|--------------------|---|-----------------|----------------------|
| Part No. | 347534 | Ref. No. | 30000949 500.0001 |
| description | push switch mounting ø 19mm silver 1NO 250V 16A SS connection male faston 6.3mm ambient temperature max. 85°C protection IP65 | | |

microswitches

lever actuated




| | | | |
|---|--|-----------------|------------------------------------|
| Part No. | 347533 | Ref. No. | 30004442 7.14.10/1 |
| description | microswitch with lever 250V 16A 1NO connection male faston 6.3mm ambient temperature max. 125°C for door lever length 74mm | | |
| spare parts for | 347533 | | |
|  | Part No. | 507034 | Ref. No. — |
| | fastening angle for microswitch | | |
|  | Part No. | 507053 | Ref. No. — |
| | nut nut 3/8" | | |
| accessories for | 347533 | | |
|  | Part No. | 507402 | Ref. No. 30004440 7.14.1 |
| | actuator for microswitch thread 3/8" L 105mm complete ID ø 12mm ED ø 32mm | | |

switches and momentary switches

rocker/momentary rocker switches





30x22mm



| | | | |
|---|---|-----------------|----------------------|
| Part No. | 301017 | Ref. No. | 30004407 7.12.4/B |
| description | rocker switch mounting measurements 30x22mm green 2CO 250V 16A illuminated connection male faston 6.3mm ambient temperature max. 125/55°C protection IP40 | | |
| accessories for | 301017 | | |
|  | Part No. | 301036 | Ref. No. — |
| | protective cover internal size 30x22mm for rocker switch mounting measurementsmm | | |

accessories



| | | | |
|---|--|-----------------|---------------------------------------|
| Part No. | 507402 | Ref. No. | 30004440 7.14.1 |
| description | actuator for microswitch thread 3/8" L 105mm complete ID ø 12mm ED ø 32mm | | |
| spare parts for | 507402 | | |
|  | Part No. | 507038 | Ref. No. — |
| | compression spring ø 8.8mm L 31mm wire gauge ø 0.7mm | | |
|  | Part No. | 507039 | Ref. No. — |
| | door shaft | | |
|  | Part No. | 507040 | Ref. No. — |
| | retaining ring E D1 ø 4mm D2 ø 9mm SS DIN 6799 thickness 0.7mm | | |
| accessories for | 507402 | | |
|  | Part No. | 347533 | Ref. No. 30004442 7.14.10/1 |
| | microswitch with lever 250V 16A 1NO connection male faston 6.3mm ambient temperature max. 125°C for door lever length 74mm | | |

push/momentary push switches

ø12mm



| | | | |
|--------------------|--|-----------------|-----------------------|
| Part No. | 346594 | Ref. No. | 30004399 7.12.4/65 |
| description | momentary push switch mounting ø 12mm black 1NO 250V 4A connection male faston 6.3mm ambient temperature max. 85°C protection IP40 | | |



magnetic switches

30x20mm



| | | | |
|--------------------|--|-----------------|----------|
| 1 | | | |
| Part No. | 348205 | Ref. No. | 30000980 |
| | | | 570.0001 |
| description | magnetic switch L 30mm W 20mm connection coded plug cable length 140mm | | |

lamps

indicator lights

indicator lights (complete)

ø10mm

with screw socket



| | | | |
|--------------------|---|-----------------|----------|
| 1 | | | |
| Part No. | 360512 | Ref. No. | 30000954 |
| | | | 505.0004 |
| description | indicator light ø 10mm 230V blue connection male faston 6.3mm | | |



| | | | |
|--------------------|--|-----------------|----------|
| 1 | | | |
| Part No. | 346882 | Ref. No. | 30000952 |
| | | | 505.0002 |
| description | indicator light ø 10mm 230V green connection male faston 6.3mm | | |



| | | | |
|--------------------|--|-----------------|----------|
| 1 | | | |
| Part No. | 346881 | Ref. No. | 30000951 |
| | | | 505.0001 |
| description | indicator light ø 10mm 230V red connection male faston 6.3mm | | |



| | | | |
|--------------------|---|-----------------|----------|
| 1 | | | |
| Part No. | 346883 | Ref. No. | 30000953 |
| | | | 505.0003 |
| description | indicator light ø 10mm 230V yellow connection male faston 6.3mm | | |

relays

power relays

with DIN rail mounting

lateral



| | | | |
|--------------------|--|-----------------|----------|
| 1 | | | |
| Part No. | 380313 | Ref. No. | 30004847 |
| | | | CONT/72 |
| description | power relays FINDER 230VAC 16A 3CO connection male faston DIN rail manuf. no. 62.83.8.230.0008 | | |

time relays

time relays



| | | | |
|--------------------|---|-----------------|----------|
| 1 | | | |
| Part No. | 380942 | Ref. No. | 30001814 |
| | | | 562.0001 |
| description | time relay FINDER F45 time range 0.1s-24h 12-240V AC/DC 16A mounting measurements DIN railmm 1CO connection grip connection | | |

solenoïd valves

solenoïd valves (water)

ELBI

straight



| | | | |
|------------------------|--|-----------------|-----------------|
| 1 | | | |
| Part No. | 373017 | Ref. No. | 240016 |
| | | | 30004245 |
| description | solenoïd valve single straight 230VAC inlet 3/4" outlet 11.5mm DN10 ELBI | | |
| spare parts for | 373017 | | |
| | Part No. | 370467 | Ref. No. |
| | | | — |
| | solenoïd valve filter suitable for ELBI | | |



ROBERTSHAW/INVENSYS

medium temperature: 90°C 90°C 60°C
 ambient temperature: 60°C 25°C 60°C
 duty cycle: 40% 100% 100%

solenoid valves with reducers

single



| | | | |
|-------------|--|----------|-----------------------|
| Part No. | 374001 | Ref. No. | 30000982 7.12.12/1 |
| description | solenoid valve single straight 230VAC inlet 3/4" outlet 11.5mm input green/min 10 t.max. 90°C Invensys plastic flow regulating valve inlet green | | |

TP



| | | | |
|-------------|--|----------|--------------------|
| Part No. | 370017 | Ref. No. | 240011 30004244 |
| description | solenoid valve single straight 230VAC inlet 3/4" outlet 11.5mm DN10 TP p max 10bar | | |

spare parts for 370017



| | | | |
|-------------|---------------------------------|----------|---|
| Part No. | 371013 | Ref. No. | — |
| description | solenoid coil TP 230VAC 50/60Hz | | |

accessories for 370017



| | | | |
|-------------|--|----------|---|
| Part No. | 371220 | Ref. No. | — |
| description | reducer TP flow rate 3l/min red tolerance ±15% | | |



| | | | |
|-------------|---|----------|---|
| Part No. | 371221 | Ref. No. | — |
| description | reducer TP flow rate 5.5l/min yellow tolerance ±15% | | |



| | | | |
|-------------|---|----------|---|
| Part No. | 371222 | Ref. No. | — |
| description | reducer TP flow rate 6l/min grey tolerance ±15% | | |



| | | | |
|-------------|---|----------|---|
| Part No. | 371223 | Ref. No. | — |
| description | reducer TP flow rate 10l/min white tolerance ±15% | | |



| | | | |
|-------------|--|----------|---|
| Part No. | 371224 | Ref. No. | — |
| description | reducer TP flow rate 12l/min bronze tolerance ±15% | | |



| | | | |
|-------------|---|----------|---|
| Part No. | 371225 | Ref. No. | — |
| description | reducer TP flow rate 16l/min light brown tolerance ±15% | | |



| | | | |
|-------------|---|----------|---|
| Part No. | 371226 | Ref. No. | — |
| description | reducer TP flow rate 20l/min red tolerance ±15% | | |



| | | | |
|-------------|---|----------|---|
| Part No. | 371230 | Ref. No. | — |
| description | reducer TP flow rate 0.25l/min red tolerance ±25% | | |

accessories for 370017

| | | | | |
|--|--|--------|----------|---|
| | Part No. | 371231 | Ref. No. | — |
| | reducer TP flow rate 0.35l/min violet tolerance ±25% | | | |
| | Part No. | 371232 | Ref. No. | — |
| | reducer TP flow rate 0.5l/min orange tolerance ±25% | | | |
| | Part No. | 371233 | Ref. No. | — |
| | reducer TP flow rate 0.8l/min white tolerance ±25% | | | |
| | Part No. | 371234 | Ref. No. | — |
| | reducer TP flow rate 1l/min light blue tolerance ±25% | | | |
| | Part No. | 371235 | Ref. No. | — |
| | reducer TP flow rate 1.2l/min brown tolerance ±25% | | | |
| | Part No. | 371236 | Ref. No. | — |
| | reducer TP flow rate 1.5l/min light brown tolerance ±25% | | | |
| | Part No. | 371237 | Ref. No. | — |
| | reducer TP flow rate 2.5l/min yellow tolerance ±25% | | | |
| | Part No. | 371238 | Ref. No. | — |
| | reducer TP flow rate 3.4l/min dark green tolerance ±25% | | | |
| | Part No. | 371239 | Ref. No. | — |
| | reducer TP flow rate 5l/min black tolerance ±25% | | | |
| | Part No. | 371240 | Ref. No. | — |
| | reducer TP flow rate 8l/min blue tolerance ±20% | | | |

pressure switches

for warewashing

ø 79mm with coded plug



| | | | |
|-------------|---|----------|---------------------|
| Part No. | 541835 | Ref. No. | 30004435 7.12.90 |
| description | pressure control 2 pressure ranges pressure range 45/18 65/47mbar connection 6mm ø 79mm warewashing pressure connection ø 5.5mm | | |



73x43mm with coded plug



| | | | |
|--------------------|--|-----------------|---------------------|
| Part No. | 541836 | Ref. No. | 30004436 7.12.91 |
| description | pressure control pressure range 50/20mbar connection coded plug size 73x43mm warewashing pressure connection ø 5.5mm | | |

pumps

wash and rinse pumps

FIR

pumps



| | | | |
|---|--|-----------------|--------------------|
| Part No. | 500598 | Ref. No. | 30004801 929167 |
| description | pump inlet ø 30mm outlet ø 26mm type 5213E2450 230V 50Hz 1 phase 0.22kW 0.1HP L 190mm rotation direction left capacitor 5µF FIR | | |
| spare parts for | 500598 | | |
|  | Part No. | 365017 | Ref. No. — |
| | operating capacitor capacity 5µF 450V tolerance 5% 50/60Hz ambient temperature max. -25 to +85°C ø 28mm L 54mm M8 plastic connection male faston 6.3mm 16.10.08 protection | | |
|  | Part No. | 502265 | Ref. No. — |
| | pump cover inlet ø 30mm outlet ø 26mm ID ø 89mm inner high 35mm | | |
|  | Part No. | 510695 | Ref. No. — |
| | mechanical shaft seal height counter ring 5.5mm ID ø 11mm | | |
|  | Part No. | 521203 | Ref. No. — |
| | impellor ø 72mm H 18mm thread M7 shaft ø 11mm shaft length 32mm blades 3 | | |
|  | Part No. | 532718 | Ref. No. — |
| | O-ring EPDM thickness 4mm ID ø 80mm Qty 1 pcs | | |
|  | Part No. | 699372 | Ref. No. — |
| | flange for pump with cover type 5213 L 103mm W 103mm H 69mm | | |

fuses

overload switches

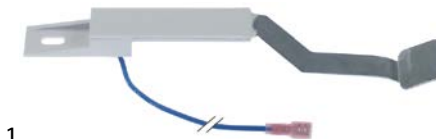


| | | | |
|--------------------|---|-----------------|-------------------|
| Part No. | 358100 | Ref. No. | 30000991 TCB-4 |
| description | overload switch 1-pole drop-away current 15A connection male faston 6.3mm | | |

equipment-specific units

for ice-cube maker

probes



| | | | |
|--------------------|--|-----------------|-------------------------|
| Part No. | 694549 | Ref. No. | 30005398 M-25-1129-3 |
| description | probe for water level 1-pole cable length 1100mm | | |

valves

intake valves



| | | | |
|--------------------|-------------------------|-----------------|-------------------------|
| Part No. | 694548 | Ref. No. | 30005658 M-83-6904-9 |
| description | intake valve with float | | |

for espresso machines

brewing units

filter holder gaskets

O-rings



| | | | |
|--------------------|---|-----------------|-------------------|
| Part No. | 510409 | Ref. No. | 30004986 HY307 |
| description | O-ring EPDM thickness 5.34mm ID ø 56.52mm Qty 1 pcs | | |

for dishwashers

door mechanics

miscellaneous



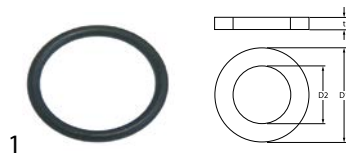
1

| | | | |
|--------------------|------------------|-----------------|----------------------|
| Part No. | 507012 | Ref. No. | 30004469 7.2.35/2 |
| description | spacer ring bush | | |

gaskets

O-rings

EPDM



1

| | | | |
|--------------------|--|-----------------|----------------------|
| Part No. | 510408 | Ref. No. | 30004278 45.60.02 |
| description | O-ring EPDM thickness 5.34mm ID ø 47mm Qty 1 pcs | | |



1

| | | | |
|--------------------|---|-----------------|-------------------|
| Part No. | 510409 | Ref. No. | 30004986 HY307 |
| description | O-ring EPDM thickness 5.34mm ID ø 56.52mm Qty 1 pcs | | |



hoses

supply hoses

PVC supply hoses



1

| | | | |
|---|---|-----------------|-------------------|
| Part No. | 520460 | Ref. No. | 41858 |
| description | supply hose PVC straight-curved DN12 connections 3/4" L 1500mm operating p. 10bar burst p. 32bar t.max. 90°C blue approval WRAS | | |
| accessories for | 520460 | | |
|  | Part No. | 520053 | Ref. No. — |
| | screen connection 3/4" D1 ø 26mm D2 ø 15mm Qty 10 pcs rubber thickness 8mm | | |
|  | Part No. | 520054 | Ref. No. — |
| | flat gasket rubber ED ø 23.5mm ID ø 14mm thickness 2.3mm Qty 10 pcs | | |

GASTROPARTS.COM

