



**GASTROPARTS**

# Bremer

**[EN]** Equipment

**[DE]** Geräte

**[ES]** Aparatos

**[FR]** Équipement

**[IT]** Attrezzature

**[PL]** Urządzenia

**[RU]** Оборудование

✉ [gastroparts@gastroparts.com](mailto:gastroparts@gastroparts.com)

☎ +48 56 657 00 66

📘 [fb.com/gastroparts.global](https://fb.com/gastroparts.global)

**GASTROPARTS.COM**













# heating elements

## heating elements for coffee machine

			
<b>Part No.</b>	415436	<b>Ref. No.</b>	381268
<b>description</b>	heating element 1600W 220V L 240mm W 33mm H 30mm L1 65mm L2 175mm mounting distance 25mm thread M12x1 stainless steel connection M4 tube ø 8.5mm 2 hole fixing immersion heater		
<b>accessories for</b>	415436		
	<b>Part No.</b>	510413	<b>Ref. No.</b> —
	flat gasket L 43mm W 19mm hole ø 12mm hole distance 24mm copper thickness 2.3mm for heating element		
	<b>Part No.</b>	510901	<b>Ref. No.</b> —
	O-ring EPDM thickness 2mm ID ø 13mm Qty 1 pcs		
	<b>Part No.</b>	520229	<b>Ref. No.</b> —
	nut thread M12x1 H 4mm WS 16 zinc-coated steel Qty 1 pcs		
	<b>Part No.</b>	521103	<b>Ref. No.</b> —
	nut thread M4 H 3mm WS 7 brass Qty 20 pcs		
	<b>Part No.</b>	521104	<b>Ref. No.</b> —
	washer ID ø 4.3mm ED ø 8mm thickness 0.5mm brass Qty 20 pcs for thread M4		
	<b>Part No.</b>	521110	<b>Ref. No.</b> —
	flat gasket fibre ED ø 20mm ID ø 13mm thickness 2mm Qty 1 pcs		
	<b>Part No.</b>	521131	<b>Ref. No.</b> —
	nut thread M12x1 H 3.5mm WS 17 SS Qty 1 pcs		
	<b>Part No.</b>	560111	<b>Ref. No.</b> —
	plain washer ID ø 4.3mm ED ø 9mm thickness 0.8mm SS Qty 20 pcs DIN 125A for thread M4		
	<b>Part No.</b>	560131	<b>Ref. No.</b> —
	hexagonal nut thread M4 H 3.2mm WS 7 SS DIN/ISO DIN 934 / ISO 4032/8673 Qty 20 pcs		

			
<b>Part No.</b>	415439	<b>Ref. No.</b>	378577
<b>description</b>	heating element 2000W 230V heating circuits 1 L 342mm W 33mm H 26mm mounting distance 25mm thread M12x1 connection M4 tube ø 8.5mm 2 hole fixing immersion heater		
<b>spare parts for</b>	415439		
	<b>Part No.</b>	532009	<b>Ref. No.</b> —
	O-ring EPDM thickness 1.78mm ID ø 14mm Qty 10 pcs		
<b>accessories for</b>	415439		
	<b>Part No.</b>	520228	<b>Ref. No.</b> —
	tooth lock washer ID ø 15.3mm ED ø 24mm steel Qty 1 pcs for thread M14		
	<b>Part No.</b>	520229	<b>Ref. No.</b> —
	nut thread M12x1 H 4mm WS 16 zinc-coated steel Qty 1 pcs		
	<b>Part No.</b>	521103	<b>Ref. No.</b> —
	nut thread M4 H 3mm WS 7 brass Qty 20 pcs		
	<b>Part No.</b>	521104	<b>Ref. No.</b> —
	washer ID ø 4.3mm ED ø 8mm thickness 0.5mm brass Qty 20 pcs for thread M4		

<b>accessories for</b>	415439		
	<b>Part No.</b>	560111	<b>Ref. No.</b> —
	plain washer ID ø 4.3mm ED ø 9mm thickness 0.8mm SS Qty 20 pcs DIN 125A for thread M4		
	<b>Part No.</b>	560131	<b>Ref. No.</b> —
	hexagonal nut thread M4 H 3.2mm WS 7 SS DIN/ISO DIN 934 / ISO 4032/8673 Qty 20 pcs		

			
<b>Part No.</b>	415437	<b>Ref. No.</b>	017299 378585
<b>description</b>	heating element 3000W 220V heating circuits 1 L 350mm W 33mm H 32mm L1 10mm L2 30mm mounting distance 25mm thread M12x1 connection M4 tube ø 8.6mm 2 hole fixing immersion heater L3 303mm connection length 20mm		
<b>accessories for</b>	415437		
	<b>Part No.</b>	510413	<b>Ref. No.</b> —
	flat gasket L 43mm W 19mm hole ø 12mm hole distance 24mm copper thickness 2.3mm for heating element		
	<b>Part No.</b>	510901	<b>Ref. No.</b> —
	O-ring EPDM thickness 2mm ID ø 13mm Qty 1 pcs		
	<b>Part No.</b>	520229	<b>Ref. No.</b> —
	nut thread M12x1 H 4mm WS 16 zinc-coated steel Qty 1 pcs		
	<b>Part No.</b>	521103	<b>Ref. No.</b> —
	nut thread M4 H 3mm WS 7 brass Qty 20 pcs		
	<b>Part No.</b>	521104	<b>Ref. No.</b> —
	washer ID ø 4.3mm ED ø 8mm thickness 0.5mm brass Qty 20 pcs for thread M4		
	<b>Part No.</b>	521110	<b>Ref. No.</b> —
	flat gasket fibre ED ø 20mm ID ø 13mm thickness 2mm Qty 1 pcs		
	<b>Part No.</b>	521131	<b>Ref. No.</b> —
	nut thread M12x1 H 3.5mm WS 17 SS Qty 1 pcs		
	<b>Part No.</b>	560111	<b>Ref. No.</b> —
	plain washer ID ø 4.3mm ED ø 9mm thickness 0.8mm SS Qty 20 pcs DIN 125A for thread M4		
	<b>Part No.</b>	560131	<b>Ref. No.</b> —
	hexagonal nut thread M4 H 3.2mm WS 7 SS DIN/ISO DIN 934 / ISO 4032/8673 Qty 20 pcs		






			
<b>Part No.</b>	415440	<b>Ref. No.</b>	372749
<b>description</b>	heating element 3300W 220V heating circuits 1 L 255mm W 67mm H 20mm L1 20mm L2 25mm L3 210mm W1 16mm W2 33mm mounting distance 25mm thread M12x1 stainless steel connection cable tube ø 8.5mm 2 hole fixing immersion heater cable length 365mm		
<b>accessories for</b>	415440		
	<b>Part No.</b>	520229	<b>Ref. No.</b> —
	nut thread M12x1 H 4mm WS 16 zinc-coated steel Qty 1 pcs		
	<b>Part No.</b>	521110	<b>Ref. No.</b> —
	flat gasket fibre ED ø 20mm ID ø 13mm thickness 2mm Qty 1 pcs		

Table continues overleaf




1 electric components



<b>accessories for</b> 415440			
	Part No.	521131	Ref. No. —
nut thread M12x1 H 3.5mm WS 17 SS Qty 1 pcs			
	Part No.	528110	Ref. No. —
O-ring EPDM thickness 2.62mm ID ø 12.37mm Qty 1 pcs			

<b>1</b> 			
<b>Part No.</b>	415438	<b>Ref. No.</b>	187003 381233
<b>description</b>	heating element 4000W 220V L 430mm W 30mm H 37mm mounting distance 22mm thread M12x1 connection M4 tube ø 8.5mm 2 hole fixing immersion heater		
<b>accessories for</b> 415438			
	Part No.	510413	Ref. No. —
flat gasket L 43mm W 19mm hole ø 12mm hole distance 24mm copper thickness 2.3mm for heating element			
	Part No.	520229	Ref. No. —
nut thread M12x1 H 4mm WS 16 zinc-coated steel Qty 1 pcs			
	Part No.	521103	Ref. No. —
nut thread M4 H 3mm WS 7 brass Qty 20 pcs			
	Part No.	521104	Ref. No. —
washer ID ø 4.3mm ED ø 8mm thickness 0.5mm brass Qty 20 pcs for thread M4			
	Part No.	521110	Ref. No. —
flat gasket fibre ED ø 20mm ID ø 13mm thickness 2mm Qty 1 pcs			
	Part No.	521131	Ref. No. —
nut thread M12x1 H 3.5mm WS 17 SS Qty 1 pcs			
	Part No.	528110	Ref. No. —
O-ring EPDM thickness 2.62mm ID ø 12.37mm Qty 1 pcs			
	Part No.	560111	Ref. No. —
plain washer ID ø 4.3mm ED ø 9mm thickness 0.8mm SS Qty 20 pcs DIN 125A for thread M4			
	Part No.	560131	Ref. No. —
hexagonal nut thread M4 H 3.2mm WS 7 SS DIN/ISO DIN 934 / ISO 4032/8673 Qty 20 pcs			

## immersion heating elements

<b>1</b> 			
<b>Part No.</b>	415438	<b>Ref. No.</b>	187003 381233
<b>description</b>	heating element 4000W 220V L 430mm W 30mm H 37mm mounting distance 22mm thread M12x1 connection M4 tube ø 8.5mm 2 hole fixing immersion heater		
<b>accessories for</b> 415438			
	Part No.	510413	Ref. No. —
flat gasket L 43mm W 19mm hole ø 12mm hole distance 24mm copper thickness 2.3mm for heating element			
	Part No.	520229	Ref. No. —
nut thread M12x1 H 4mm WS 16 zinc-coated steel Qty 1 pcs			

<b>accessories for</b> 415438			
	Part No.	521103	Ref. No. —
nut thread M4 H 3mm WS 7 brass Qty 20 pcs			
	Part No.	521104	Ref. No. —
washer ID ø 4.3mm ED ø 8mm thickness 0.5mm brass Qty 20 pcs for thread M4			
	Part No.	521110	Ref. No. —
flat gasket fibre ED ø 20mm ID ø 13mm thickness 2mm Qty 1 pcs			
	Part No.	521131	Ref. No. —
nut thread M12x1 H 3.5mm WS 17 SS Qty 1 pcs			
	Part No.	528110	Ref. No. —
O-ring EPDM thickness 2.62mm ID ø 12.37mm Qty 1 pcs			
	Part No.	560111	Ref. No. —
plain washer ID ø 4.3mm ED ø 9mm thickness 0.8mm SS Qty 20 pcs DIN 125A for thread M4			
	Part No.	560131	Ref. No. —
hexagonal nut thread M4 H 3.2mm WS 7 SS DIN/ISO DIN 934 / ISO 4032/8673 Qty 20 pcs			

## thermostats

## control and safety thermostats

EGO

safety thermostats

55.31\_ series



<b>Part No.</b>	375072	<b>Ref. No.</b>	041254
<b>description</b>	safety thermostat switch-off temp. 170°C 3-pole 20A probe ø 3.1mm probe L 524mm capillary pipe 350mm capillary pipe isolated 350mm gland nut probe SS		



## switches and momentary switches

### rocker/momentary rocker switches

30x22mm



1

<b>Part No.</b>	301003	<b>Ref. No.</b>	053295
<b>description</b>	rocker switch mounting measurements 30x22mm green 2NO 250V 16A illuminated 0-I connection male faston 6.3mm ambient temperature max. 125/55°C protection IP65		

accessories for 301003



<b>Part No.</b>	301036	<b>Ref. No.</b>	—
<b>description</b>	protective cover internal size 30x22mm for rocker switch mounting measurementsmm		

## lamps

### indicator lights

#### indicator lights (complete)

30x22mm



1

<b>Part No.</b>	359156	<b>Ref. No.</b>	053317
<b>description</b>	indicator light mounting measurements 30x22mm 230V yellow connection male faston 6.3mm temp.-resist. 125/55°C type RL2		

## contactors

### ISKRA (FANAL)

#### power contactors



1

<b>Part No.</b>	380212	<b>Ref. No.</b>	307491
<b>description</b>	power contactor resistive load 20A 230VAC (AC3/400V) 8.5A/5.5kW main contacts 3NO auxiliary contacts 1NC connection screw connection type Fanal K07M 01 type ISKRA DSL7 01		



1

<b>Part No.</b>	380423	<b>Ref. No.</b>	181498
<b>description</b>	power contactor resistive load 35A 230VAC (AC3/400V) 25A/11kW main contacts 3NO auxiliary contacts connection screw connection type Fanal DSL22 type ISKRA KNL22		

## electronics

### PCBs



1

<b>Part No.</b>	400013	<b>Ref. No.</b>	214582
<b>description</b>	PCB combi-steamer 6x1/1 5x2/3 level control		

## solenoid valves

### solenoid valves (water)

#### metal

#### MÜLLER

#### 2-way



1

<b>Part No.</b>	370069 <sup>1</sup>	<b>Ref. No.</b>	374806
<b>description</b>	solenoid valve 2-ways 230VAC inlet 1/8" IT outlet 1/8" IT L 30mm water MÜLLER DN10		

<sup>1</sup>with adjusting screw



1

<b>Part No.</b>	370037 <sup>1</sup>	<b>Ref. No.</b>	079561
<b>description</b>	solenoid valve 2-ways 230VAC inlet 1/8" IT outlet M16x1 outer steam MÜLLER		

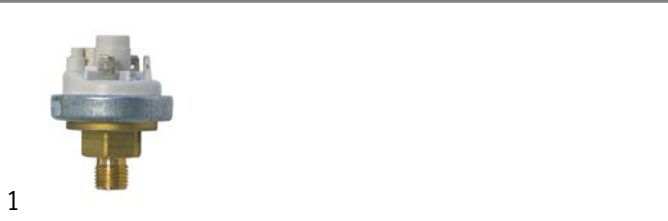
<sup>1</sup>with adjusting screw



## pressure switches

### for coffee machines

ø 45mm



<b>Part No.</b>	541015	<b>Ref. No.</b>	030422
<b>description</b>	pressure control ø 45mm pressure range 400/360mbar pressure range 0.4/0.36bar p max 1.02bar pressure connection vertical coffee machine parts connection 1/4" 1CO suitable for Palux, Bremer pressure connection 1/4"		

### for steam control



<b>Part No.</b>	541015	<b>Ref. No.</b>	030422
<b>description</b>	pressure control ø 45mm pressure range 400/360mbar pressure range 0.4/0.36bar p max 1.02bar pressure connection vertical coffee machine parts connection 1/4" 1CO suitable for Palux, Bremer pressure connection 1/4"		

## flow meters and flow sensors

### flow meters

GICAR



<b>Part No.</b>	400642	<b>Ref. No.</b>	027790
<b>description</b>	flow meter thread 1/4" plastic plug-in connection approval NSF		

**GASTRO**PARTS.COM

