



GASTROPARTS

Royal

- [EN]** Coffee machines
- [DE]** Kaffeemaschinen
- [ES]** Cafeteras
- [FR]** Cafetières
- [IT]** Macchine da caffè
- [PL]** Ekspresy do kawy
- [RU]** Кофеварки

✉ gastroparts@gastroparts.com

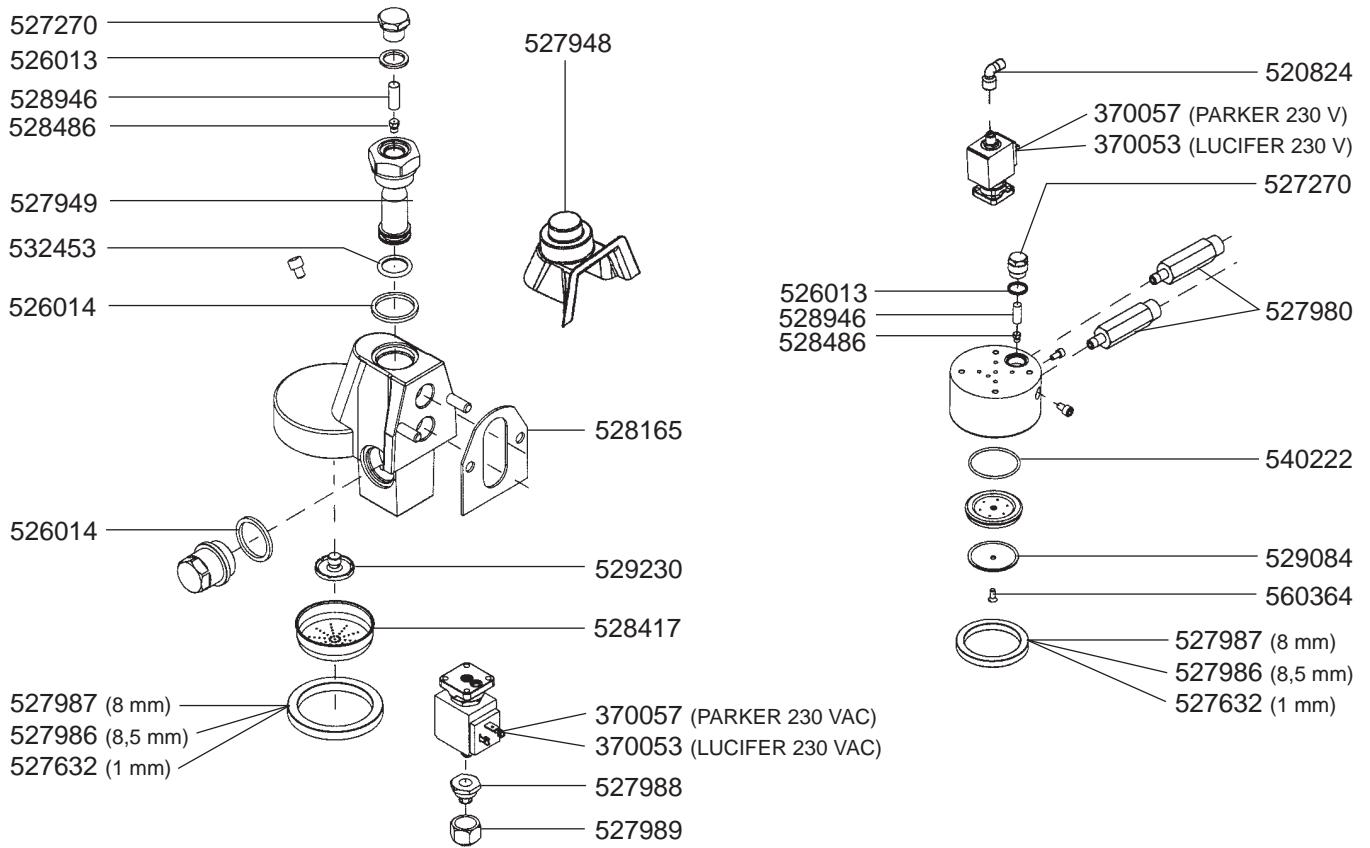
☎ +48 56 657 00 66

📘 fb.com/gastroparts.global

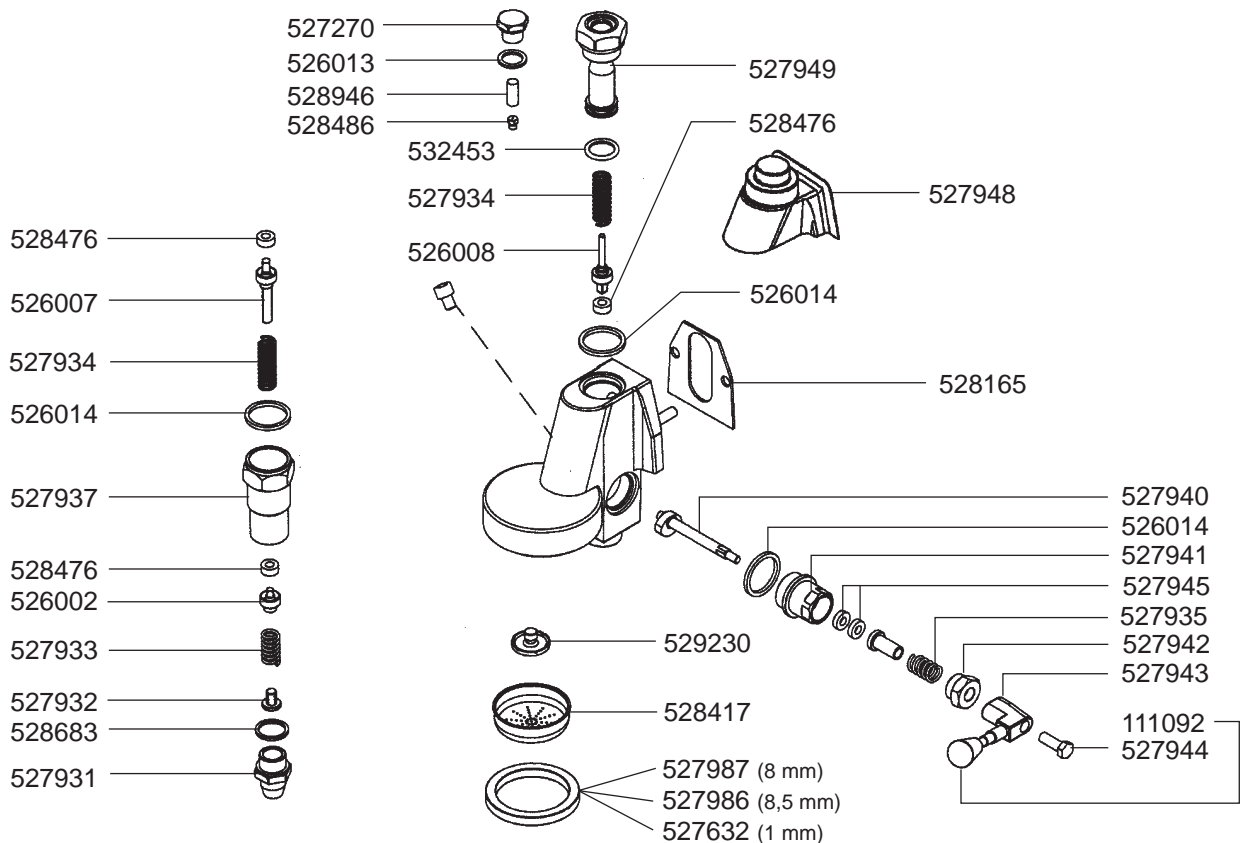
GASTROPARTS.COM



SOLENOID GROUPS



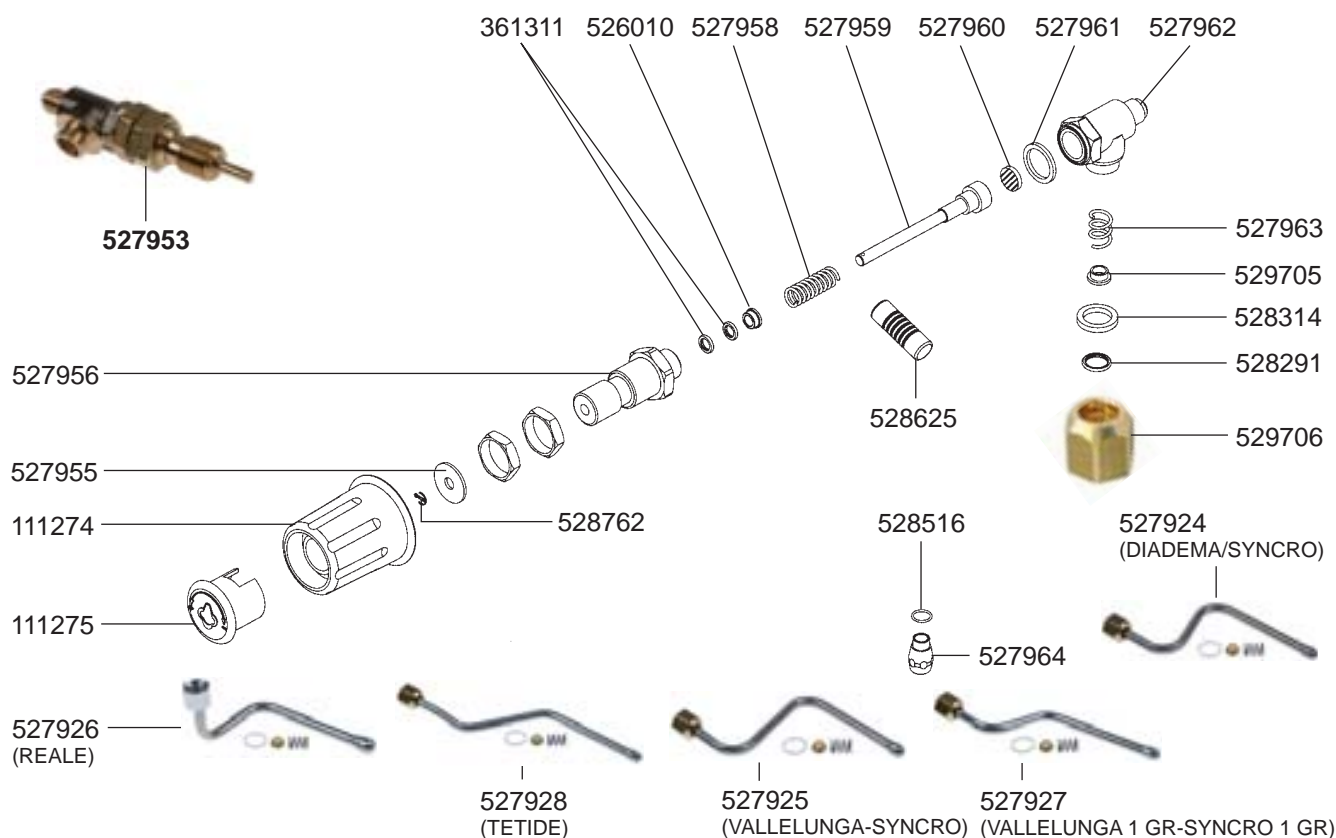
MANUAL GROUP



FILTER HOLDERS



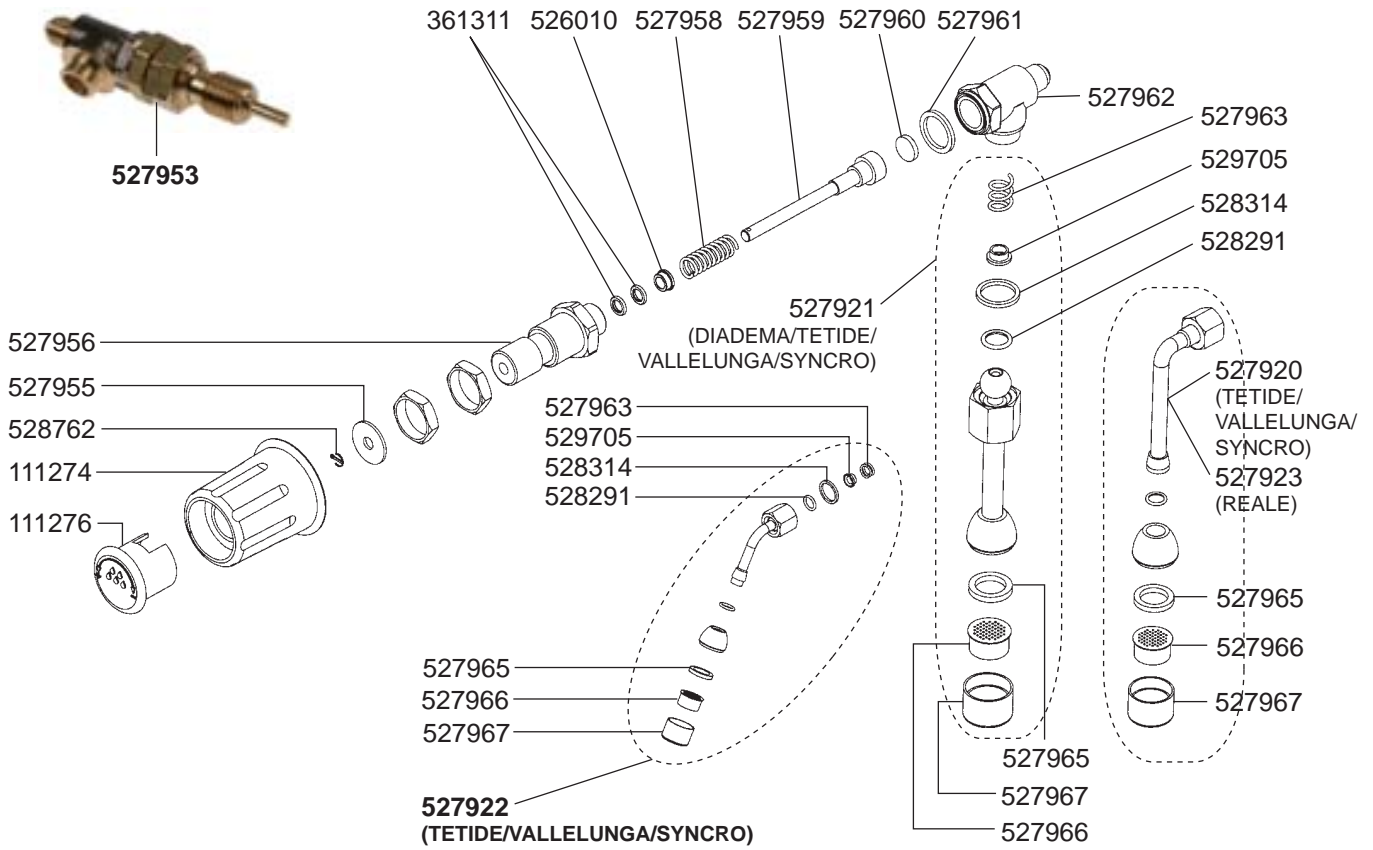
STEAM TAP SYNCRO/VELLELUNGA/DIADEMA/TETIDE/REALE



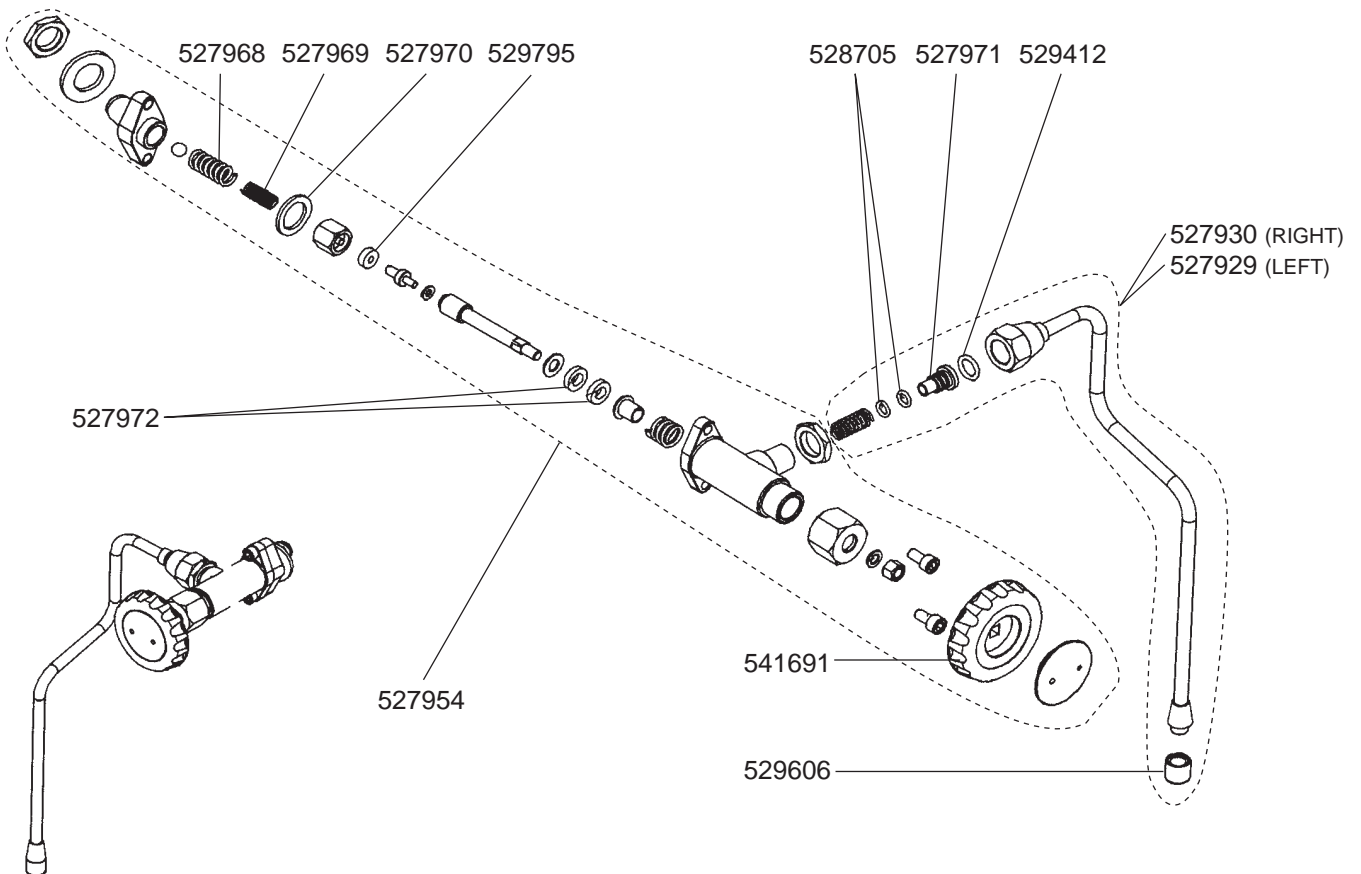
ROYAL – ESPRESSO MACHINES

1
ESPRESSO MACHINES

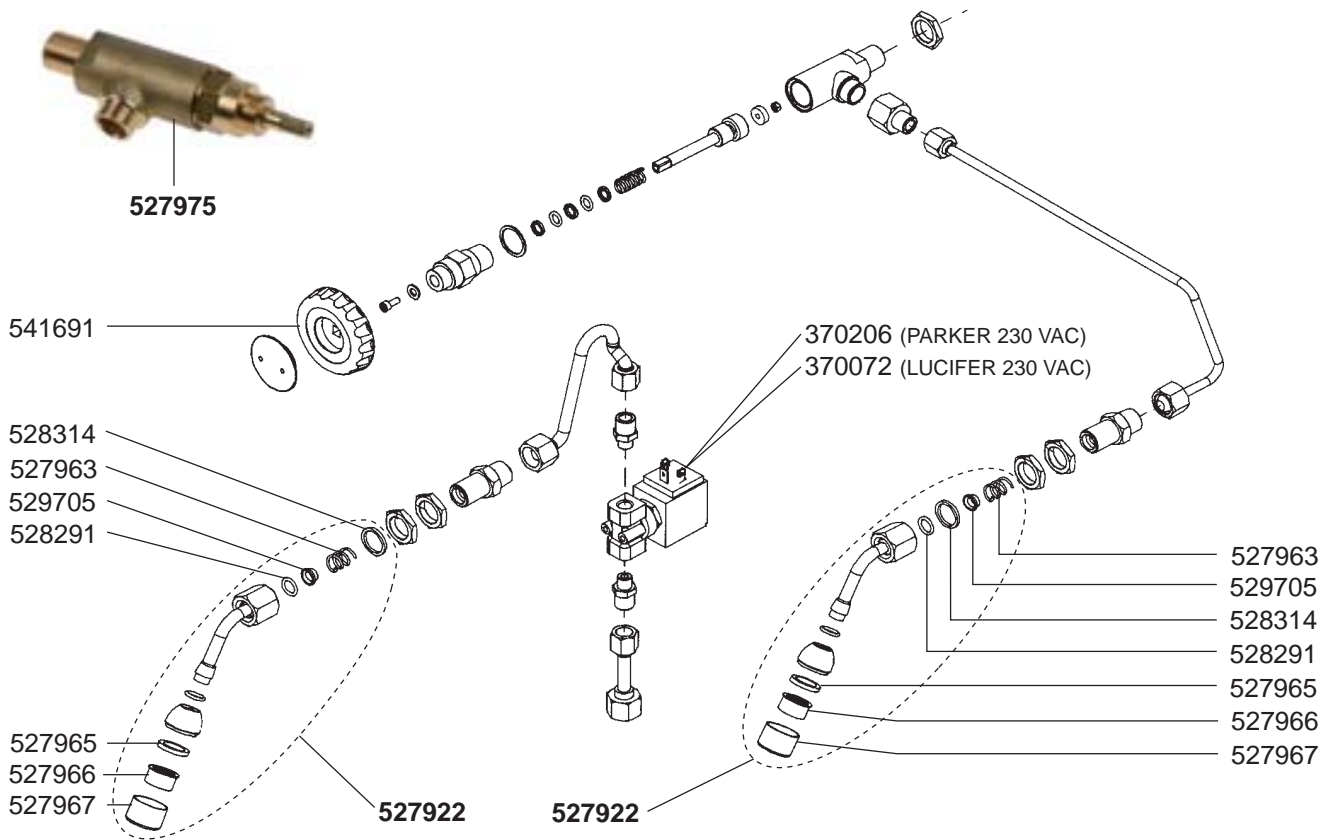
WATER TAP SYNCRO/VELLELUNGA/DIADEMA/TETIDE/REALE



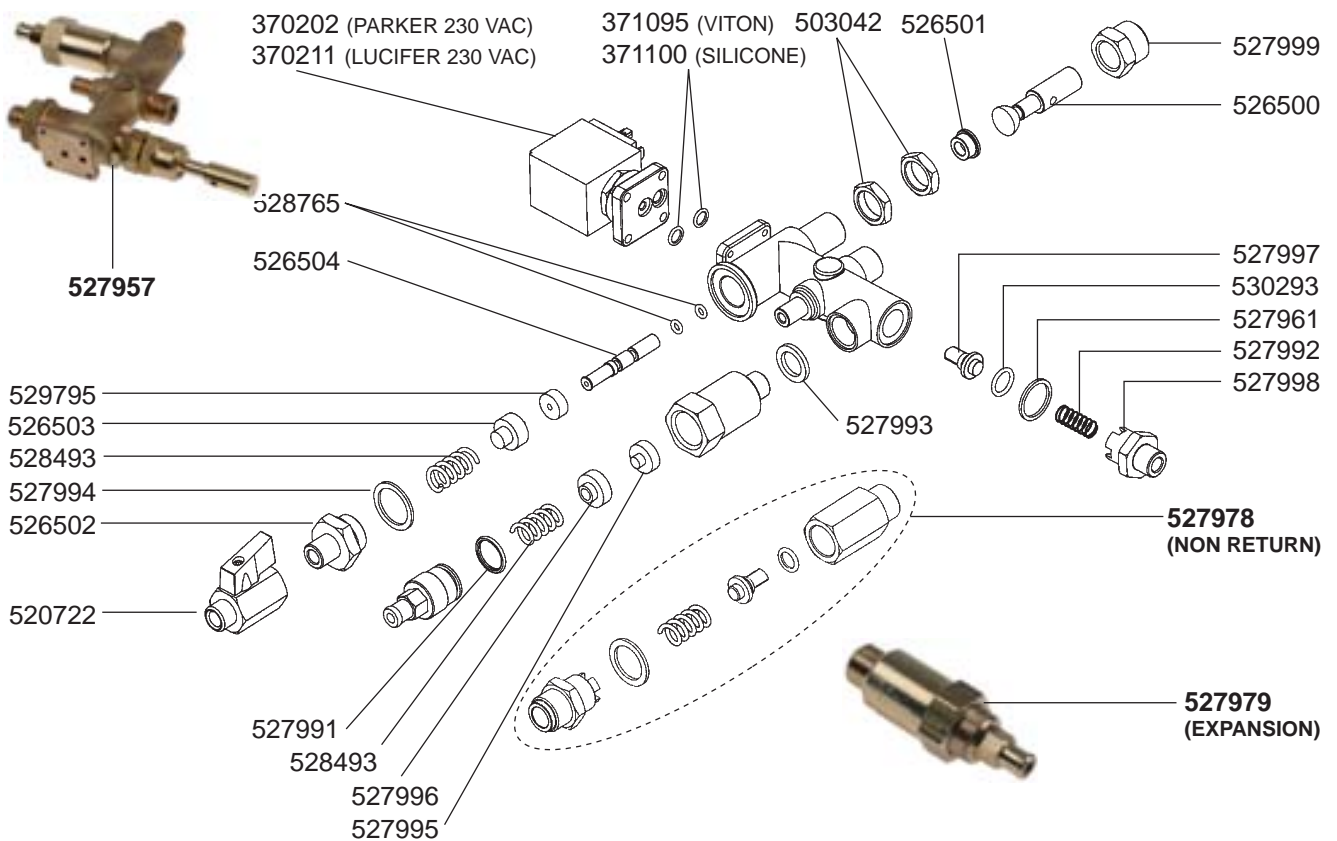
STEAM TAP DIADEMA OLD FASHION



STEAM TAP DIADEMA OLD FASHION



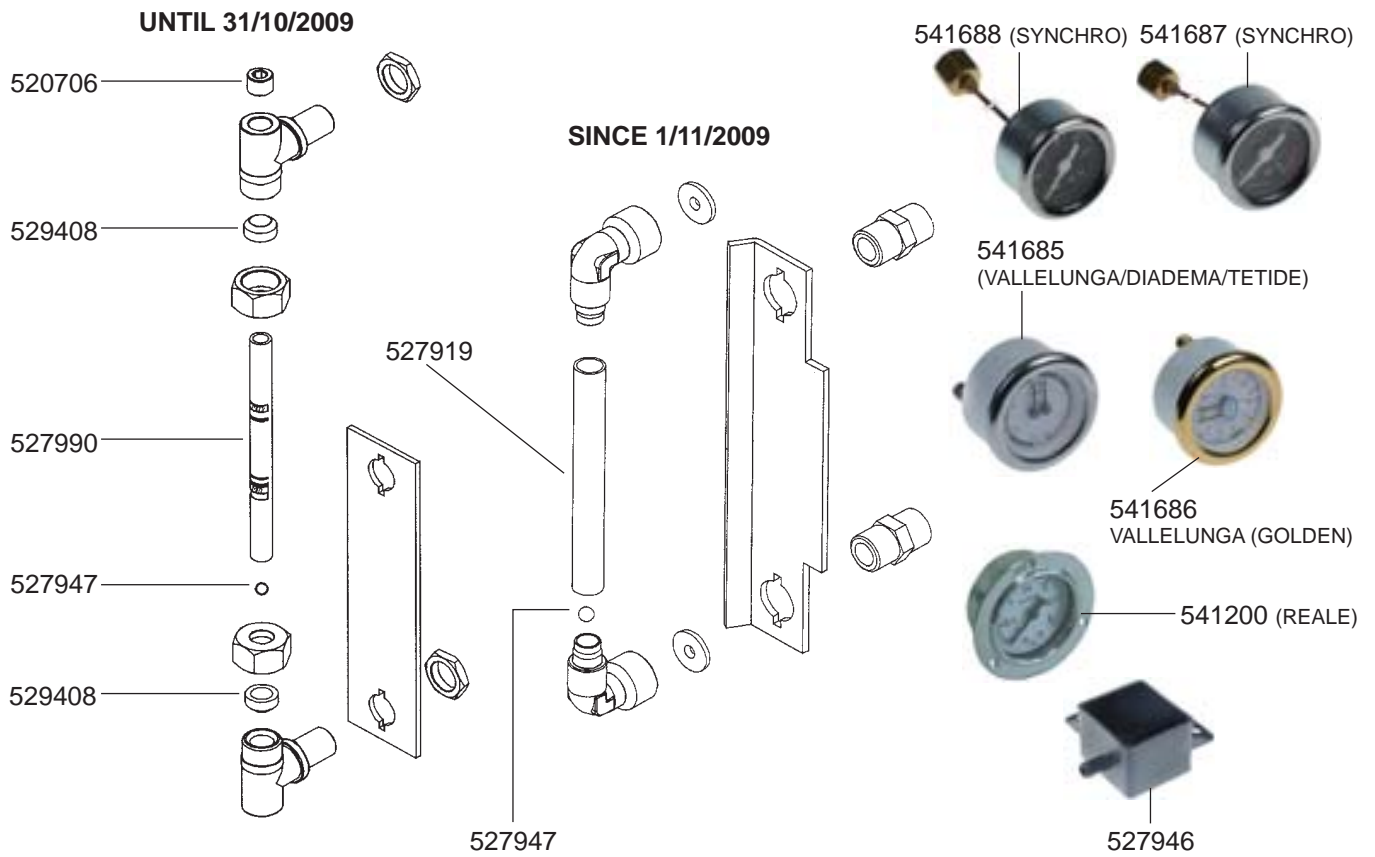
VALVES



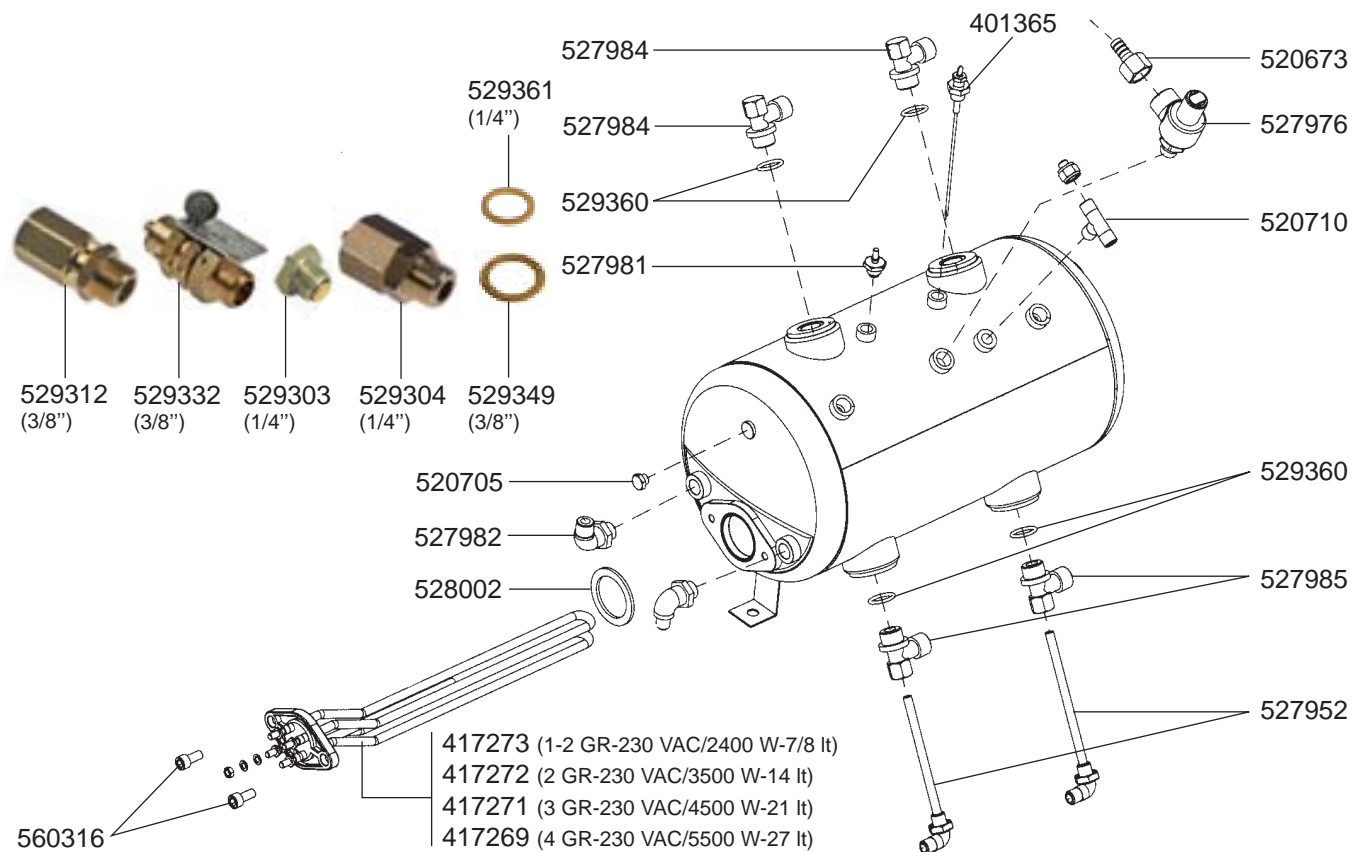
ROYAL – ESPRESSO MACHINES

1
ESPRESSO MACHINES

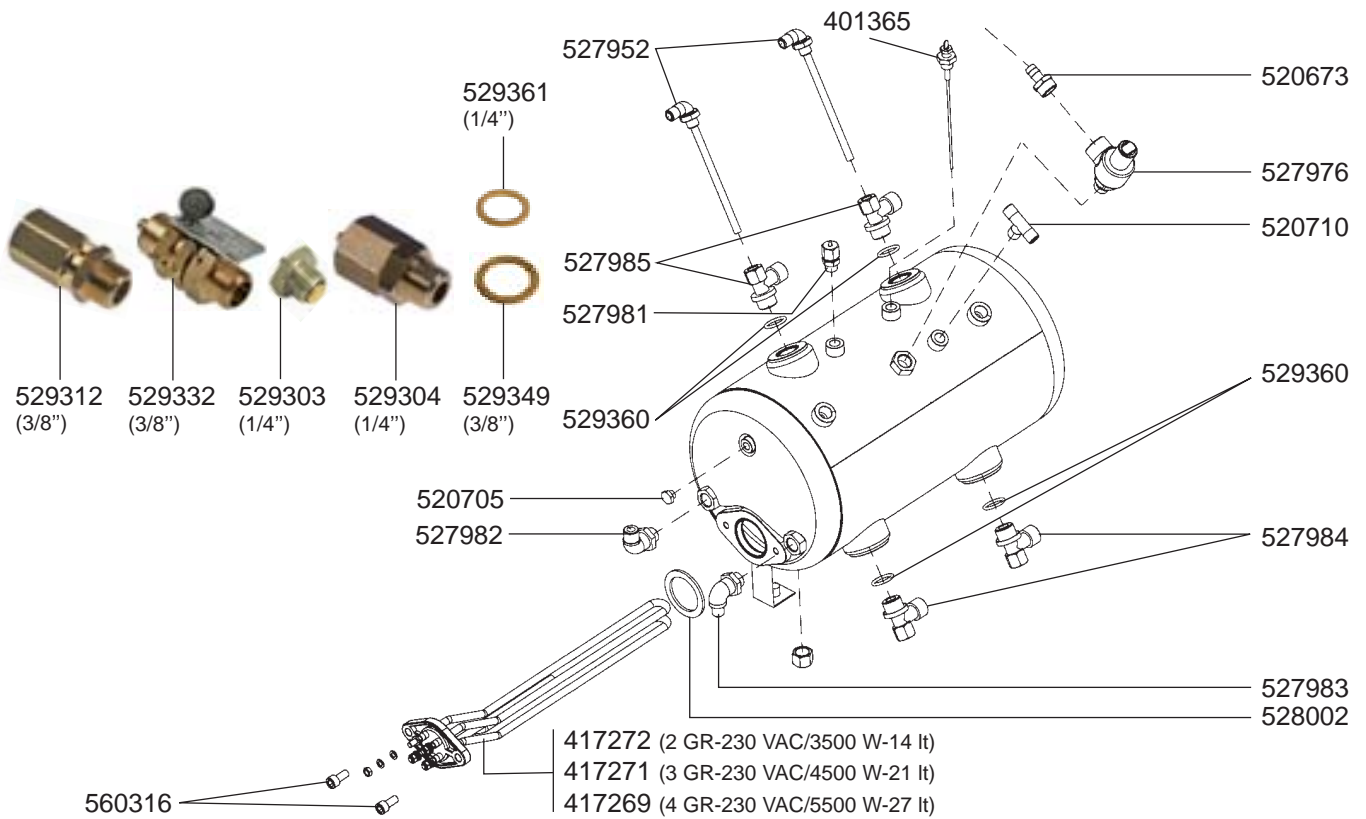
LEVEL INDICATOR/MANOMETERS/DRIP TRAY



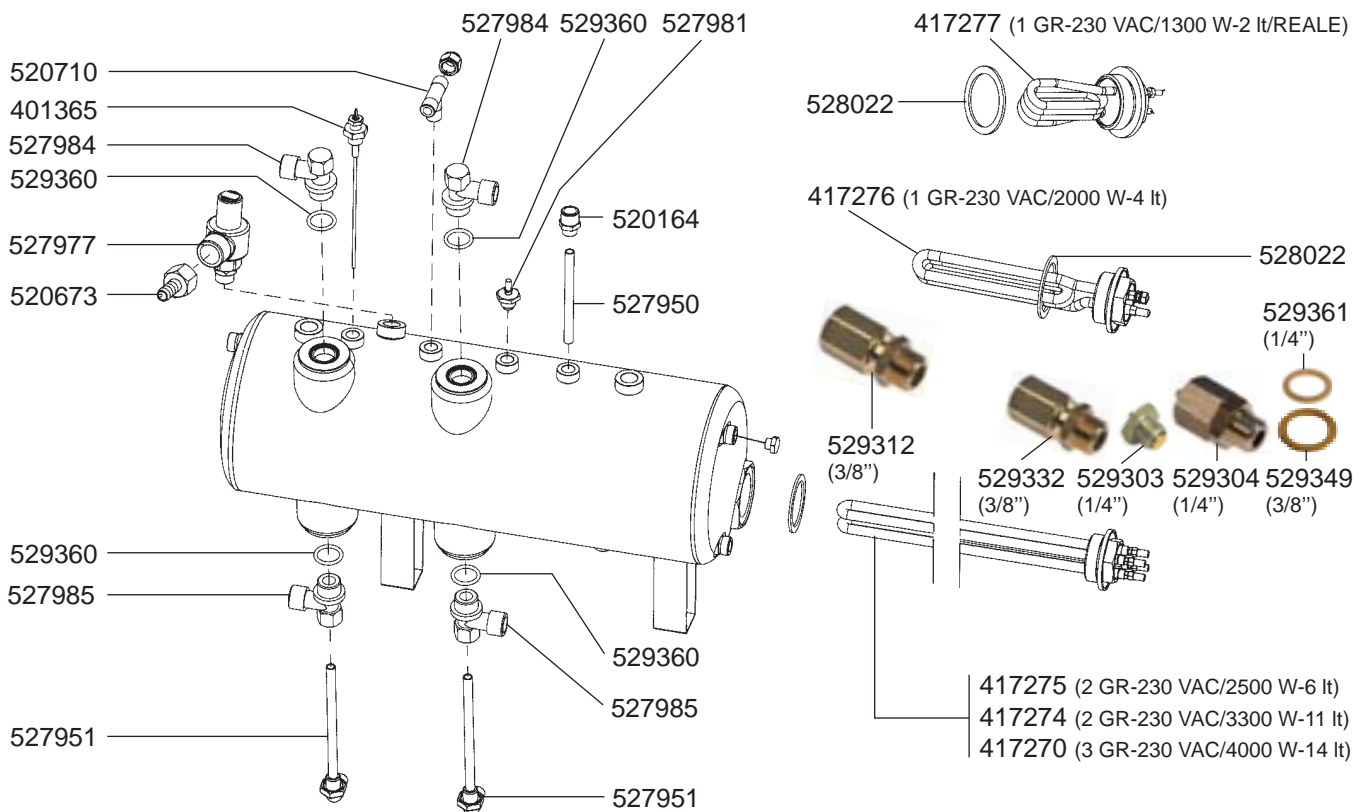
BOILER VARIOUS SYNCRO/DIADEMA/TETIDE/VALLELUNGA



BOILER VARIOUS TETIDE HIGHT HOT WATER PIPE



BOILER VARIOUS SYNCRO 6-11-14lt



ELECTRICAL COMPONENTS SYNCRO 2-3-4GR

ELECTRONIC



402239



402238



402246



402241 (GICAR
REF. 9.5.25.98G 01)



347205



359472 (RED)



359473 (ORANGE)



359474 (GREEN)



375494



346100 (20 A)



346101 (25 A)

SWITCH MOD.



347207



347205



402103 (GICAR
REF. 9.1.40.71G)



359472 (RED)



359473 (ORANGE)



359474 (GREEN)



375494



346100 (20 A)



346101 (25 A)

ELECTRICAL COMPONENTS SYNCRO 2-3-4GR/SYNCRO 1GR

LEVER DISPENSING MOD.



345639



402103
(GICAR REF. 9.1.40.71G)



347205



359474 (GREEN)



375494



346100 (20 A)



346101 (25 A)

ELECTRONIC 1 GR-4 It



402239



402245
(GICAR REF. 9.5.17.84 G 01)



347205



359474 (GREEN)



359472 (RED)



402223



347198 (20 A)

ELECTRICAL COMPONENTS SYNCRO 1GR

SWITCH MOD. 1 GR-4 It



347207



402234
(GICAR REF. 9.1.29.05G 00)



359472 (RED)



359474 (GREEN)



347198

ELECTRONIC 1 GR-7 It



402239



402245
(GICAR REF. 9.5.17.84G 01)



347205



359474 (GREEN)



359472 (RED)



375494



346100 (20 A)

SWITCH MOD. 1 GR-7 It



347207



402103
(GICAR REF. 9.1.40.71G)



359472 (RED)



359474 (GREEN)



375494



346100 (20 A)

ELECTRICAL COMPONENTS VALLELUNGA 2-3-4GR

ELECTRONIC



402240



402235



402241
(GICAR REF. 9.5.25.98G 01)



301001



359476 (RED)



359475 (GREEN)



375494



347208 (2/3 GR)



347210 (4 GR)

SWITCH MOD.



347206



301001



402103
(GICAR REF. 9.1.40.71G)



359476 (RED)



359475 (GREEN)



375494



347208 (2/3 GR - 20 A)



347209 (3 GR - 25 A)



347210 (4 GR - 30 A)

ELECTRICAL COMPONENTS BOILER VARIOUS VALLELUNGA 2-3-4GR/VALLELUNGA 1GR

LEVER DISPENSING MOD.



345639



402103
(GICAR REF. 9.1.40.71G)



301001



359476 (RED)



359475 (GREEN)



375494



347208
(2/3 GR - 20 A)



347209 (3 GR - 25 A)



347210 (4 GR - 30 A)

ELECTRONIC 1 GR - 4 lt



402240



402245
(GICAR REF. 9.5.17.84G 01)



301001



359476 (RED)



359475 (GREEN)



402223



347198

ELECTRICAL COMPONENTS VALLELUNGA 1GR

SWITCH MOD. 1 GR-4 lt



346049



347204



402234
(GICAR REF. 9.1.29.05G 00)



359476 (RED)



359475 (GREEN)



347198

ELECTRONIC 1 GR-7 lt



402240



402245
(GICAR REF. 9.5.17.84G 01)



301001



359476 (RED)



359475 (GREEN)



375494



346100

SWITCH MOD. 1 GR-7 lt



346049



347204



402103
(GICAR REF. 9.1.40.71G)



301001



359476 (RED)



359475 (GREEN)



375494



346100

ELECTRICAL COMPONENTS TETIDE

ELECTRONIC



402236



301001



402231
(GICAR REF. 9.5.22.80G 00)



359475 (GREEN)



375494



346100 (20 A)



346101 (25 A)



347198 (20 A)

SWITCH MOD.



346049



301001



402103
(GICAR REF. 9.1.40.71G)



359476 (RED)



359475 (GREEN)



375494



346100 (20 A)



346101 (25 A)



347198 (20 A)

ELECTRICAL COMPONENTS TETIDE/DIADEMA

LEVER DISPENSING MOD. TETIDE



345639



402103
(GICAR REF. 9.1.40.71G)



301001



359475 (GREEN)



375494



346100 (20 A)



346101 (25 A)



347198

ELECTRONIC DIADEMA



402236



402244



301001



359476 (RED)



359475 (GREEN)



375494



347208 (20 A)



347210 (30 A)

ELECTRICAL COMPONENTS DIADEMA

SWITCH MOD.



402237



301001



402233
(GICAR REF. 9.9.02.50G)



402232
(GICAR REF. 9.9.02.49G)



359476 (RED)



359475 (GREEN)



375494



347208 (20 A)



347210 (30 A)

LEVER DISPENSING MOD.



345639



402103
(GICAR REF. 9.1.40.71G)



301001



359476 (RED)



359475 (GREEN)



375494



347208 (20 A)



347210 (30 A)

ELECTRICAL COMPONENTS REALE

REALE



346519



359474 (GREEN)



359473 (ORANGE)



345639



347211



541690



402234
(GICAR REF. 9.1.29.05G 00)

ELECTRICAL COMPONENTS VARIOUS



400004



400256



400257



400258



541021
(SIRAI, 30 AMP,
3 POLES)



541724
(SIRAI, 20 AMP,
3 POLES)



541723
(SIRAI, 20 AMP,
2 POLES)



541453
(PARKER)



370057
(PARKER 230 VAC)
370053
(LUCIFER 230 VAC)



370062
(PARKER)
370061
(LUCIFER)



370206
(PARKER 230 VAC 1/8")
370072
(LUCIFER 230 VAC 1/8")



371029
(PARKER 230 VAC)
371031
(LUCIFER 230 VAC)



371091



371090



371095
(VITON)



371100
(SILICONE)

GASTROPARTS.COM

