



GASTROPARTS

La Pavoni

- [EN]** Coffee machines
- [DE]** Kaffeemaschinen
- [ES]** Cafeteras
- [FR]** Cafetières
- [IT]** Macchine da caffè
- [PL]** Ekspresy do kawy
- [RU]** Кофеварки

✉ gastroparts@gastroparts.com

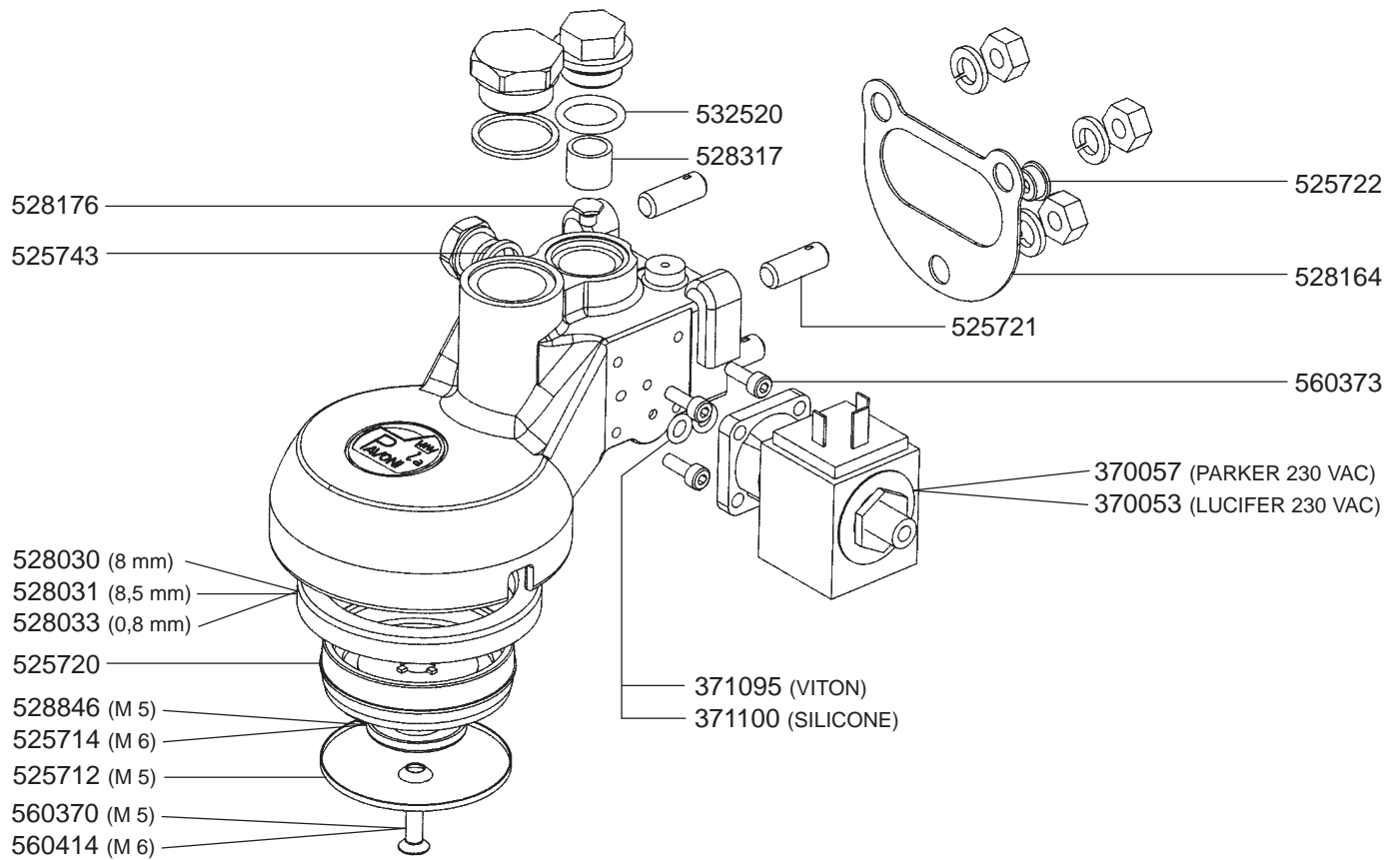
☎ +48 56 657 00 66

📘 fb.com/gastroparts.global

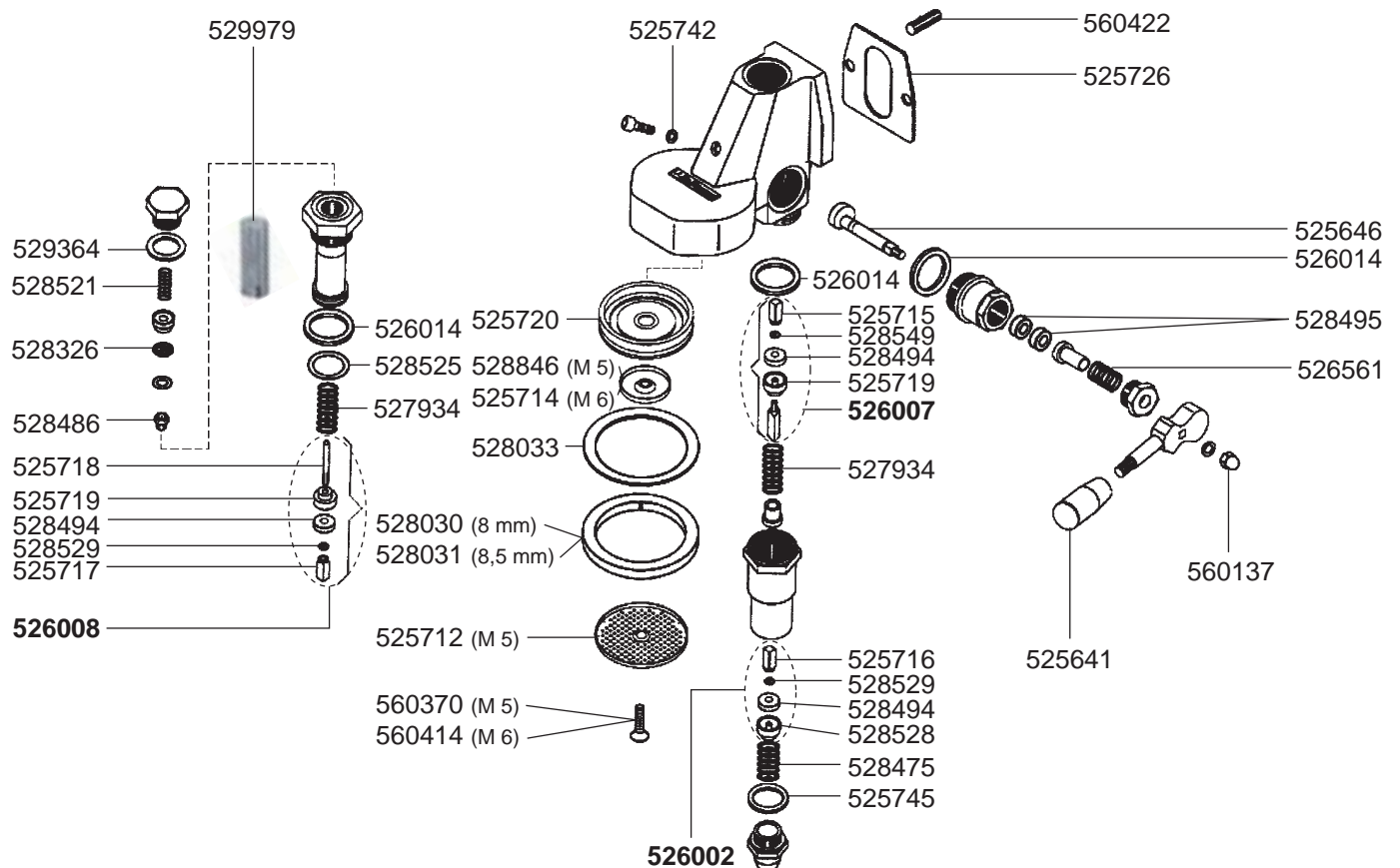
GASTROPARTS.COM



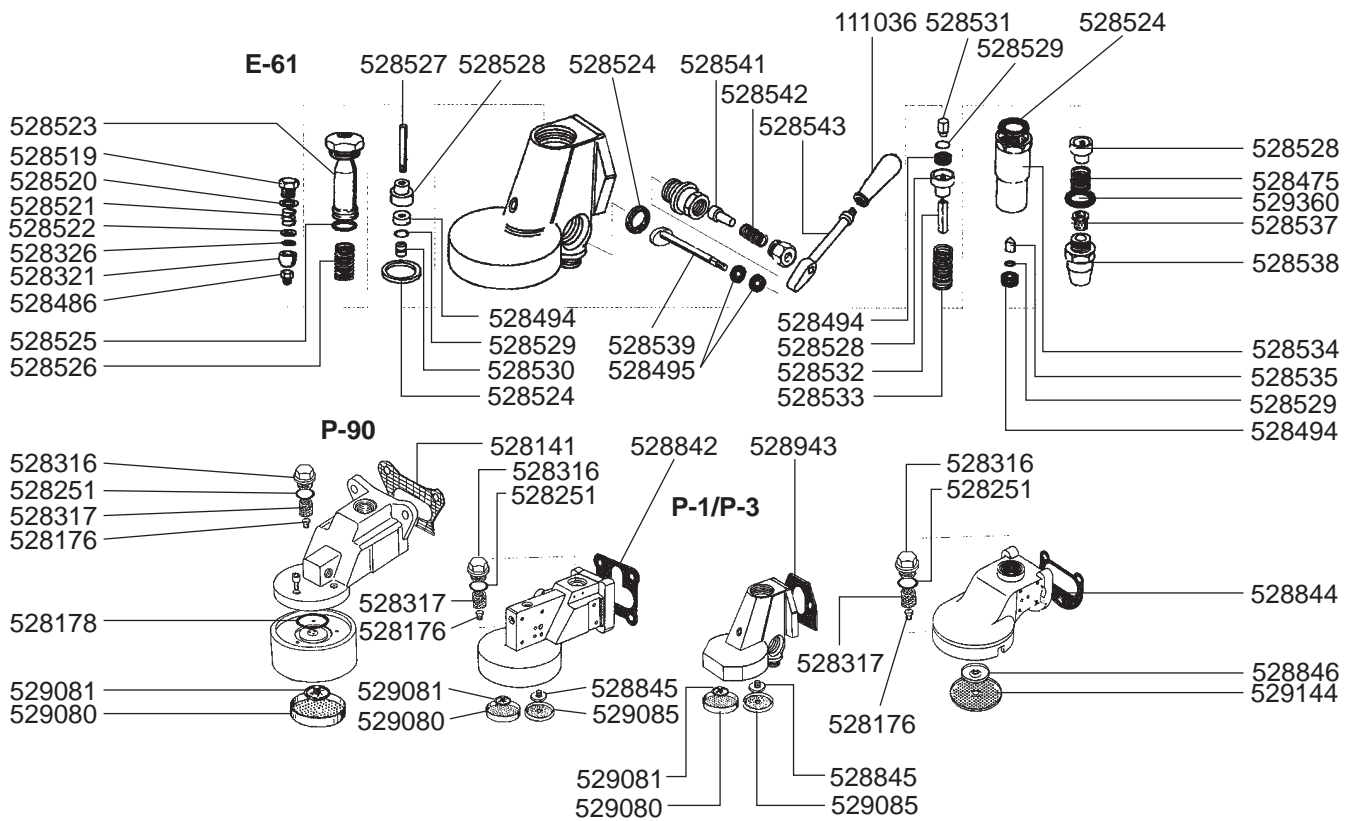
SOLENOID GROUP



MANUAL GROUP



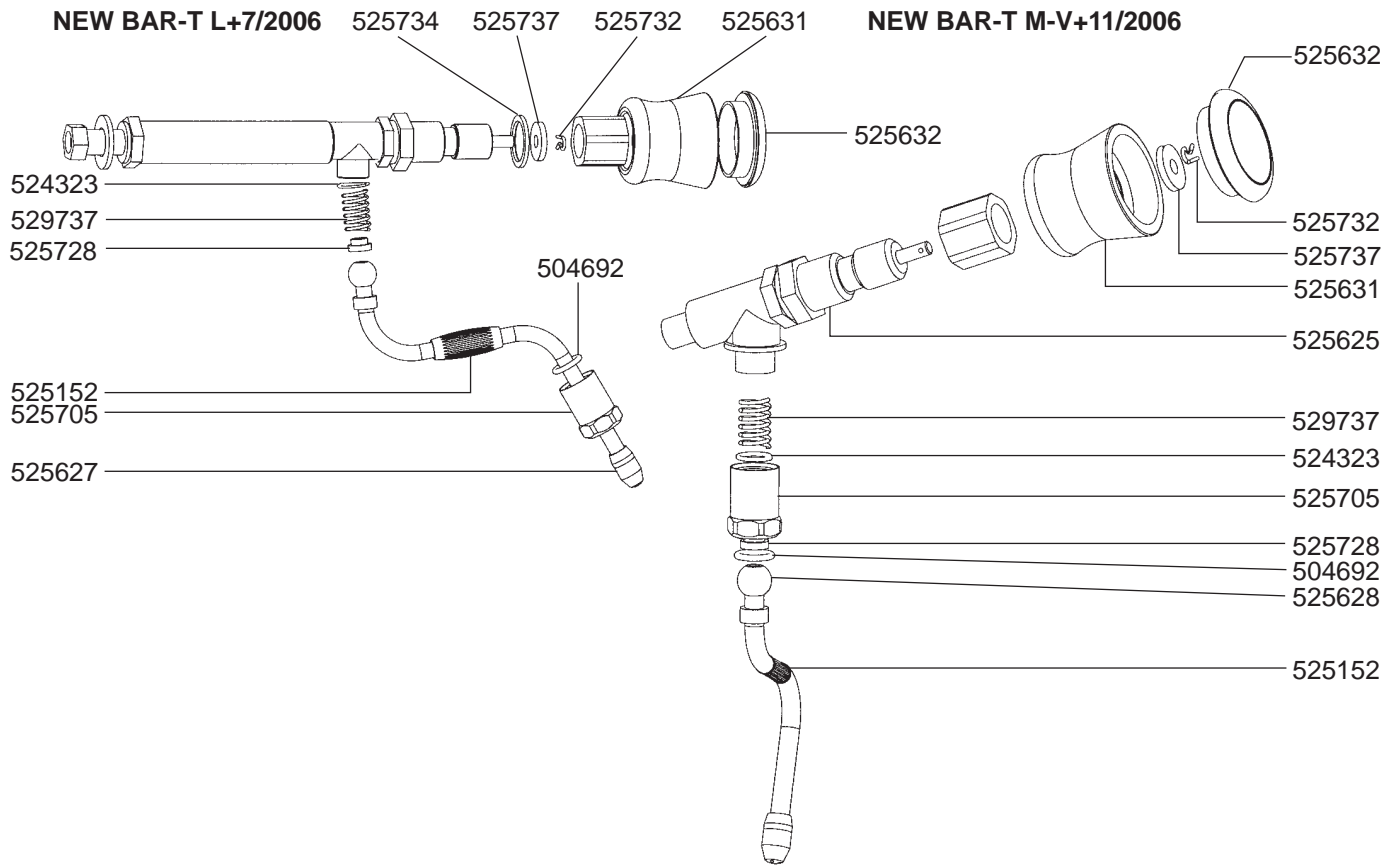
OLD MODEL GROUPS



FILTER HOLDERS

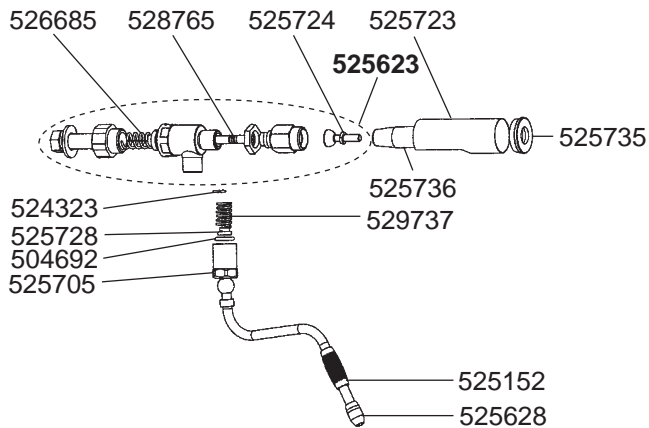


STEAM TAP NEW BAR-T L+7/2006 - NEW BAR-T M-V +11/2006

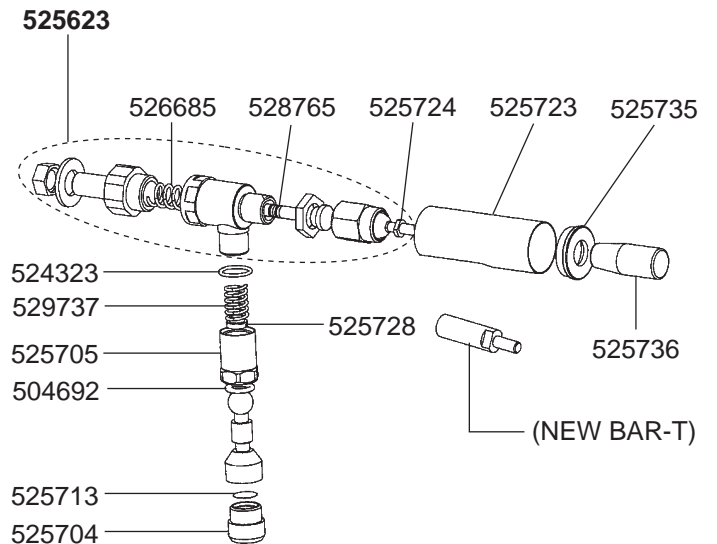


STEAM/WATER TAPS PUB 1S/PUB 2S/BAR/HOTEL/NEW BAR-T +7/2008

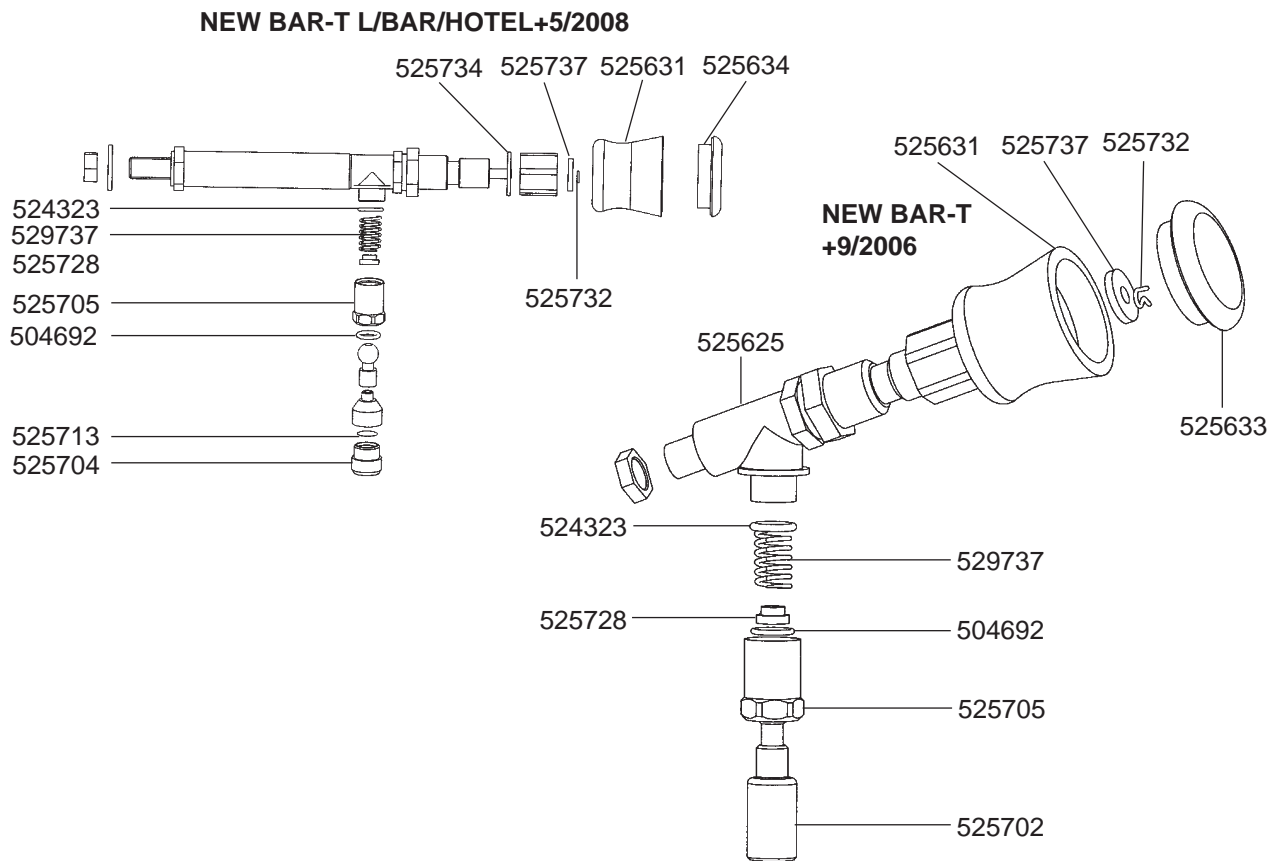
**PUB 1S
PUB 2S**



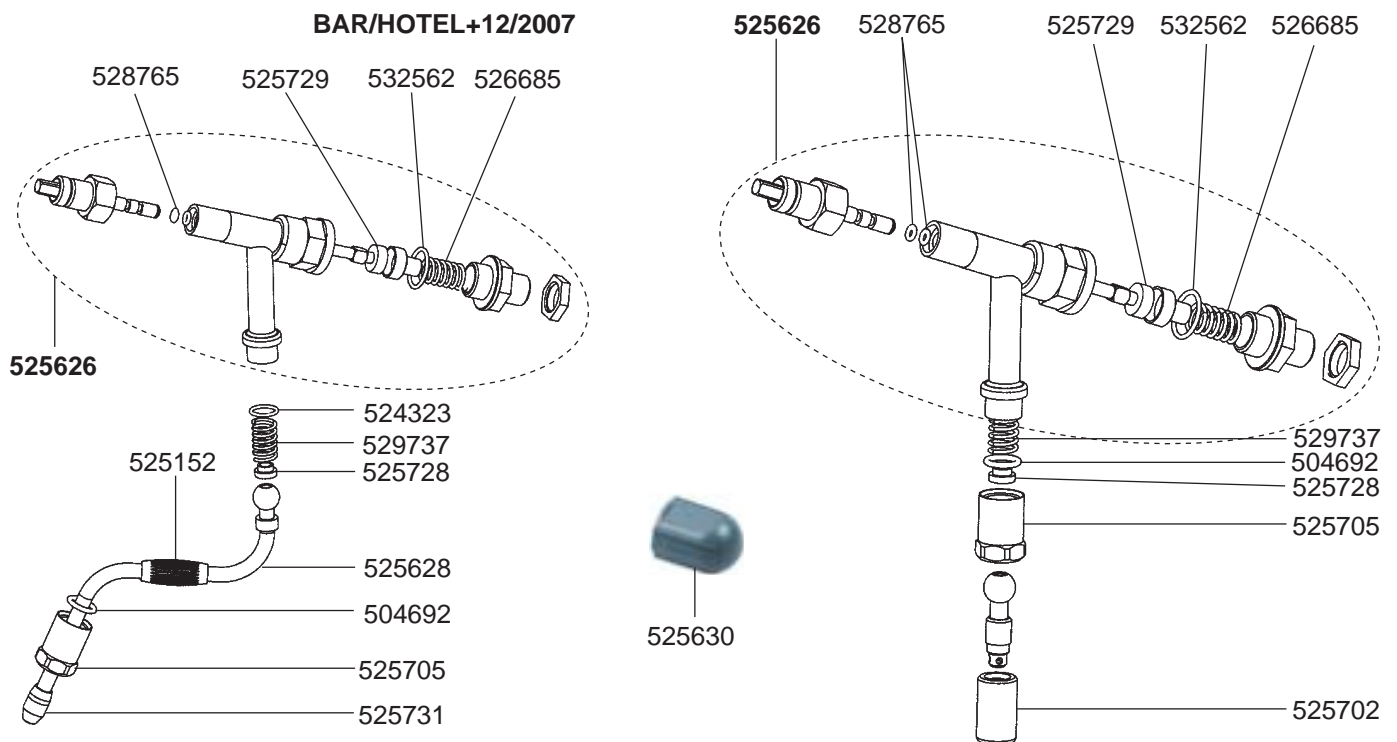
**PUB 1S
PUB 2S
BAR/HOTEL/NW BAR-T +7/2008**



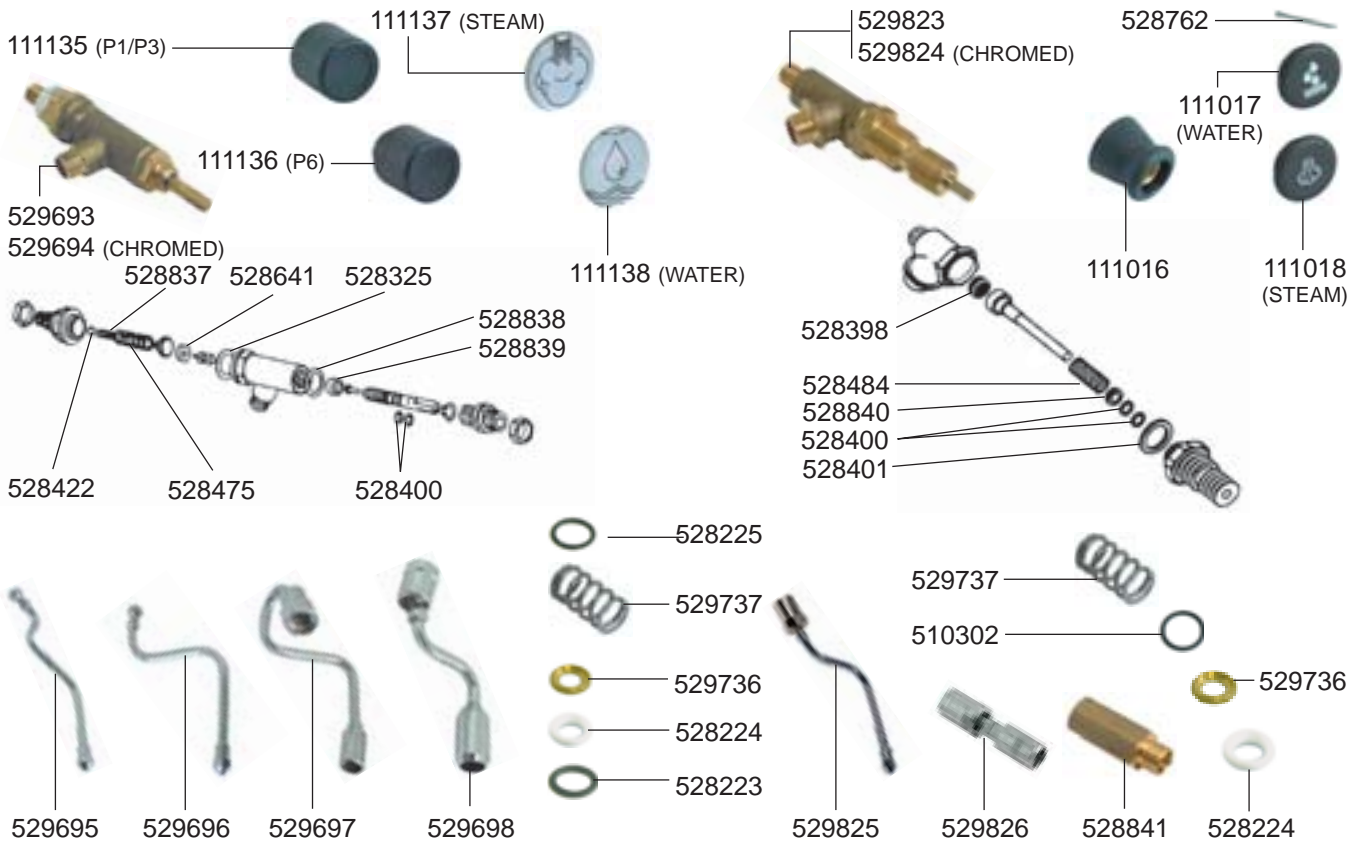
WATER TAPS NEW BAR-T L/BAR/HOTEL +5/2008



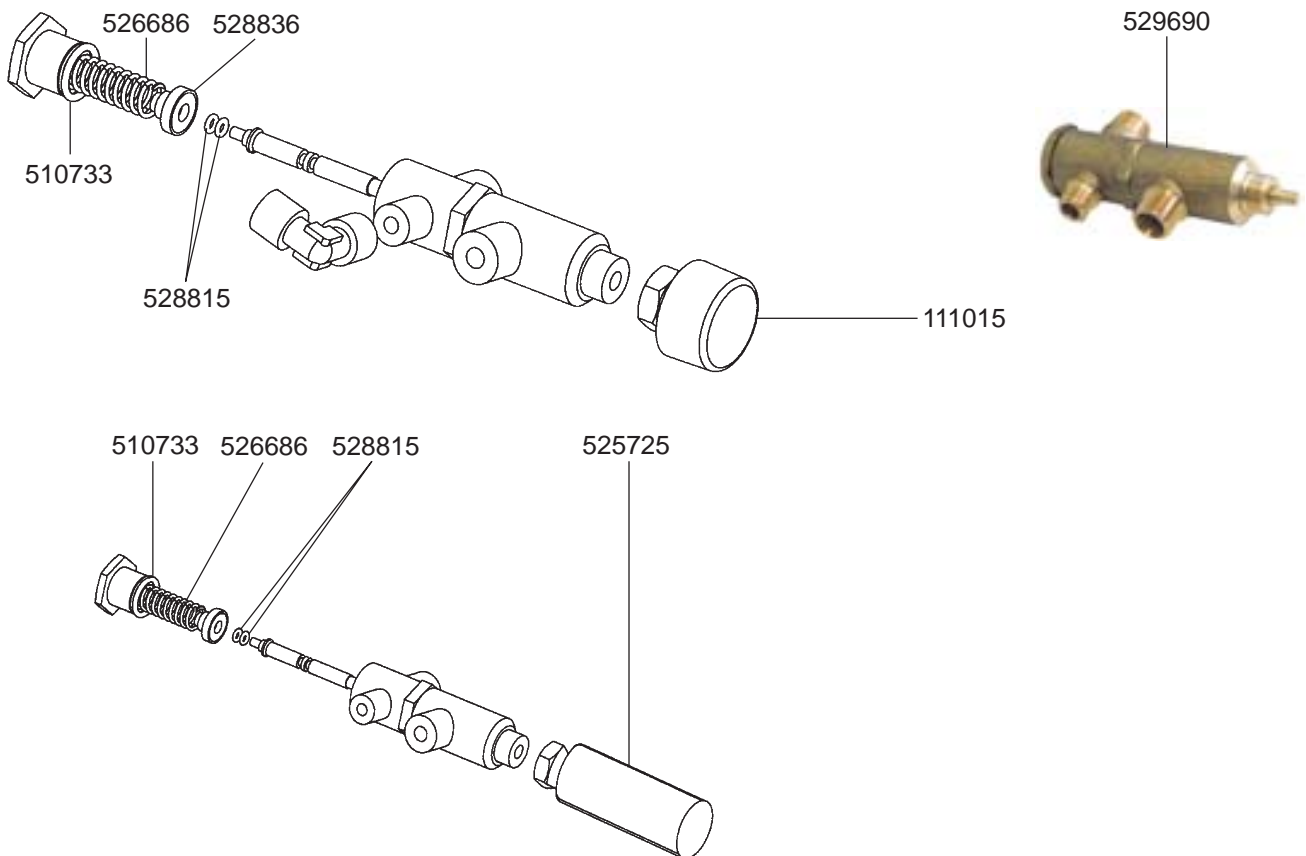
STEAM/WATER TAPS BAR/HOTEL +12/2007



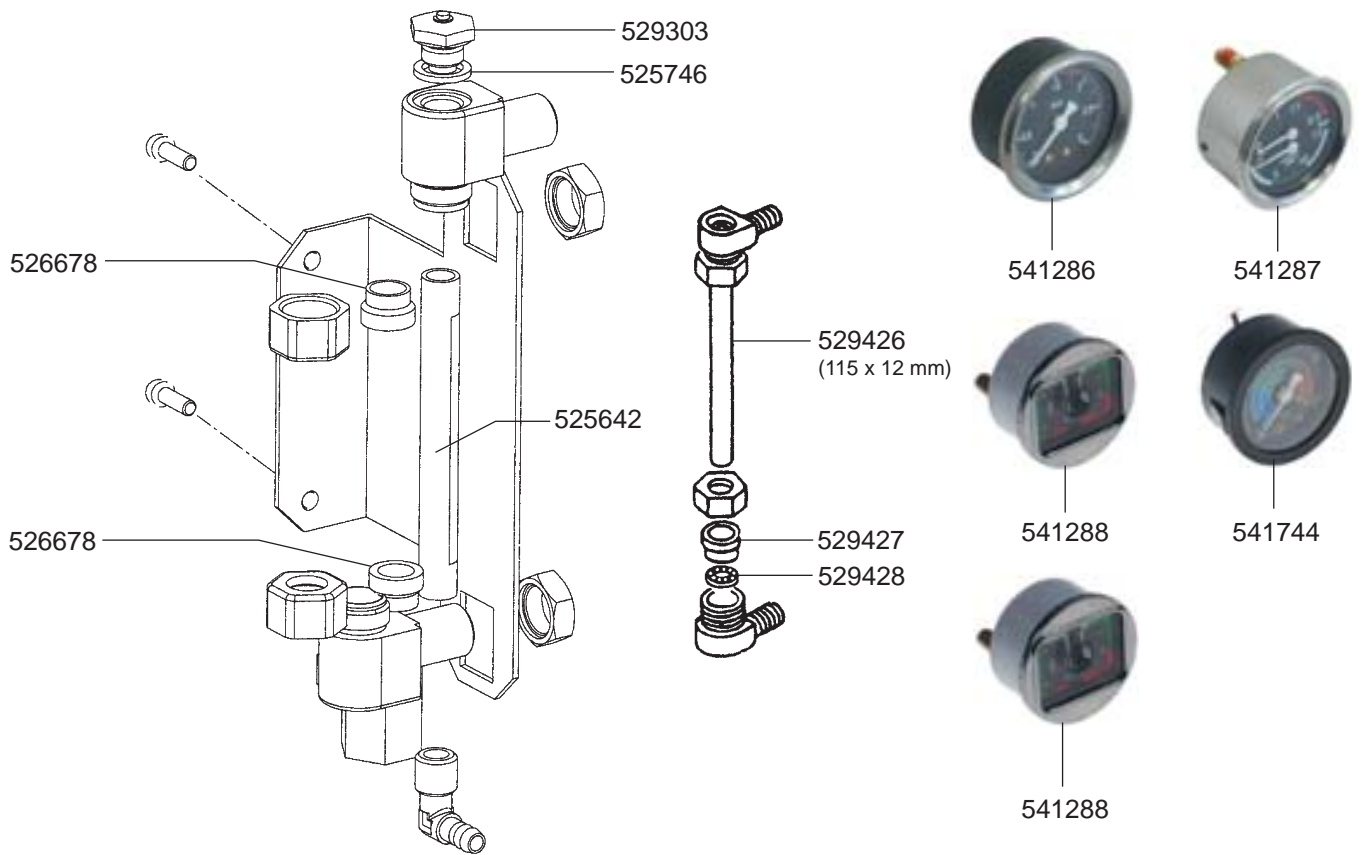
OLD MODEL STEAM/WATER TAPS



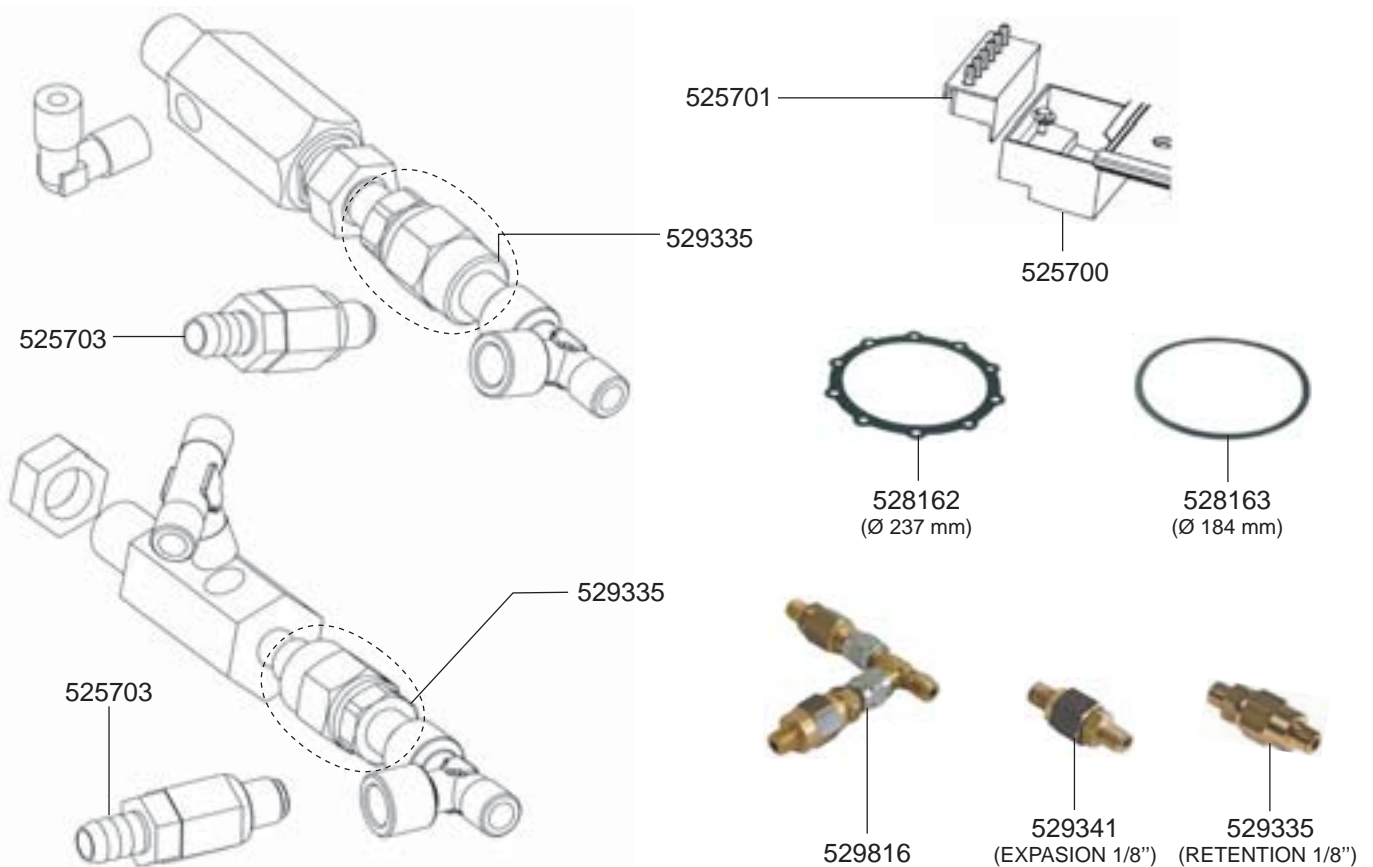
Inlet VALVES



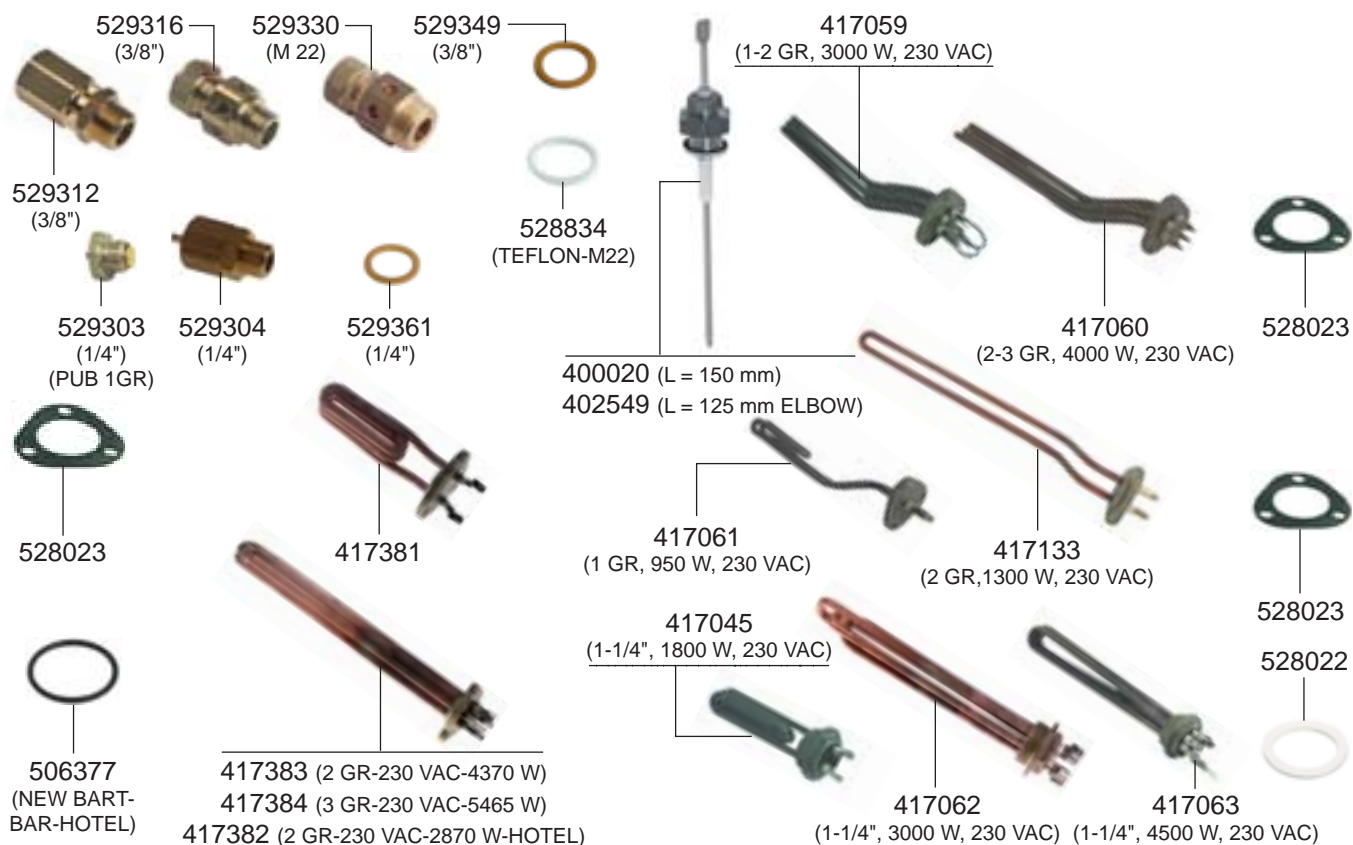
LEVEL INDICATOR/MANOMETERS



VALVES



BOILER VARIOUS



ELECTRICAL COMPONENTS PUB1-S2 +11/2006 - NEW BAR-T/BAR/HOTEL

PUB 1-2-S+11/2006



NEW BAR-T

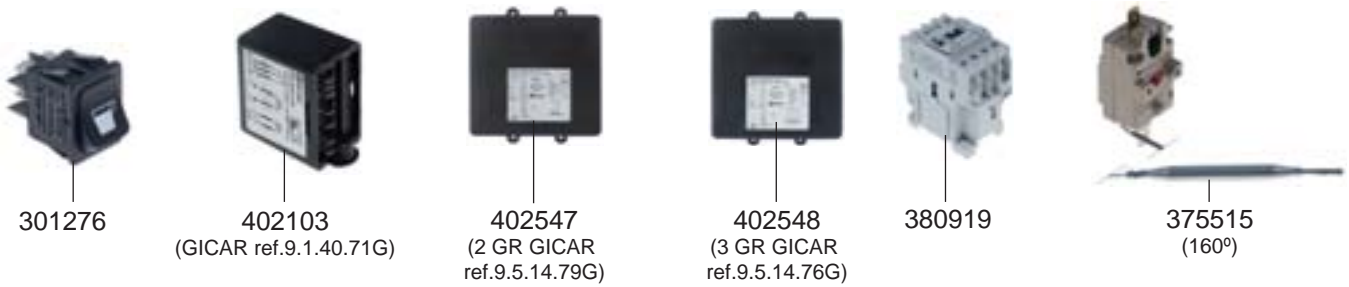


BAR/HOTEL



ELECTRICAL COMPONENTS BAR/HOTEL/BAR S-L

BAR/HOTEL



301276

402103
(GICAR ref.9.1.40.71G)

402547
(2 GR GICAR
ref.9.5.14.79G)

402548
(3 GR GICAR
ref.9.5.14.76G)

380919

375515
(160°)

BAR S-L



301276

402103
(GICAR ref.9.1.40.71G)

380919

375515

ELECTRICAL COMPONENTS VARIOUS



400004

400256

400257

400258

541021
(30 A, 3 POLES)

541724
(20 A, 3 POLES)

541723
(SIRAI 20 A, 2 POLES)

541453
(PARKER)

370057
(PARKER 230 VAC)
370053
(LUCIFER 230 VAC)

370062
(PARKER)
370061
(LUCIFER)

370206
(PARKER 1/8", 230 VAC)
370072
(LUCIFER 1/8", 230 VAC)

371029
(PARKER 230 VAC)
371031
(LUCIFER 230 VAC)

371090

371095
(VITON)

371100
(SILICONE)

370168
(SIRAI 1/8", 230 VAC)

371071
(SIRAI 230 VAC)

371091

345147
(0-1)

346014
(0-1/20 A)

346123
(0-1-2/16 A)

ELECTRICAL COMPONENTS VARIOUS



346074
(2 POLES, 35 x 20 mm
RED)



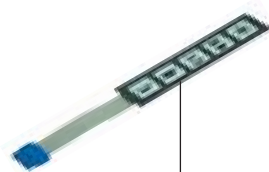
301002
(2 POLES, 30 x 22 mm
ORANGE)



345269



400378
(GICAR REF.9.9.10.17G)

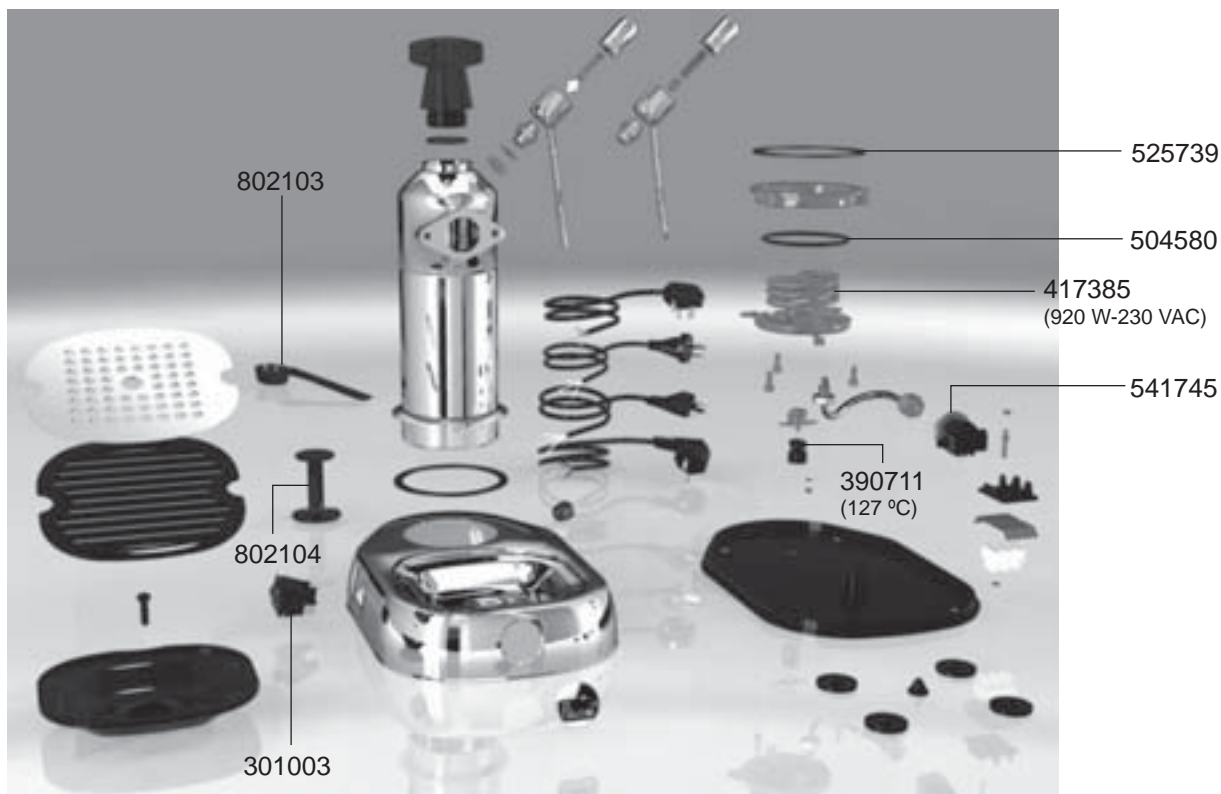


400334

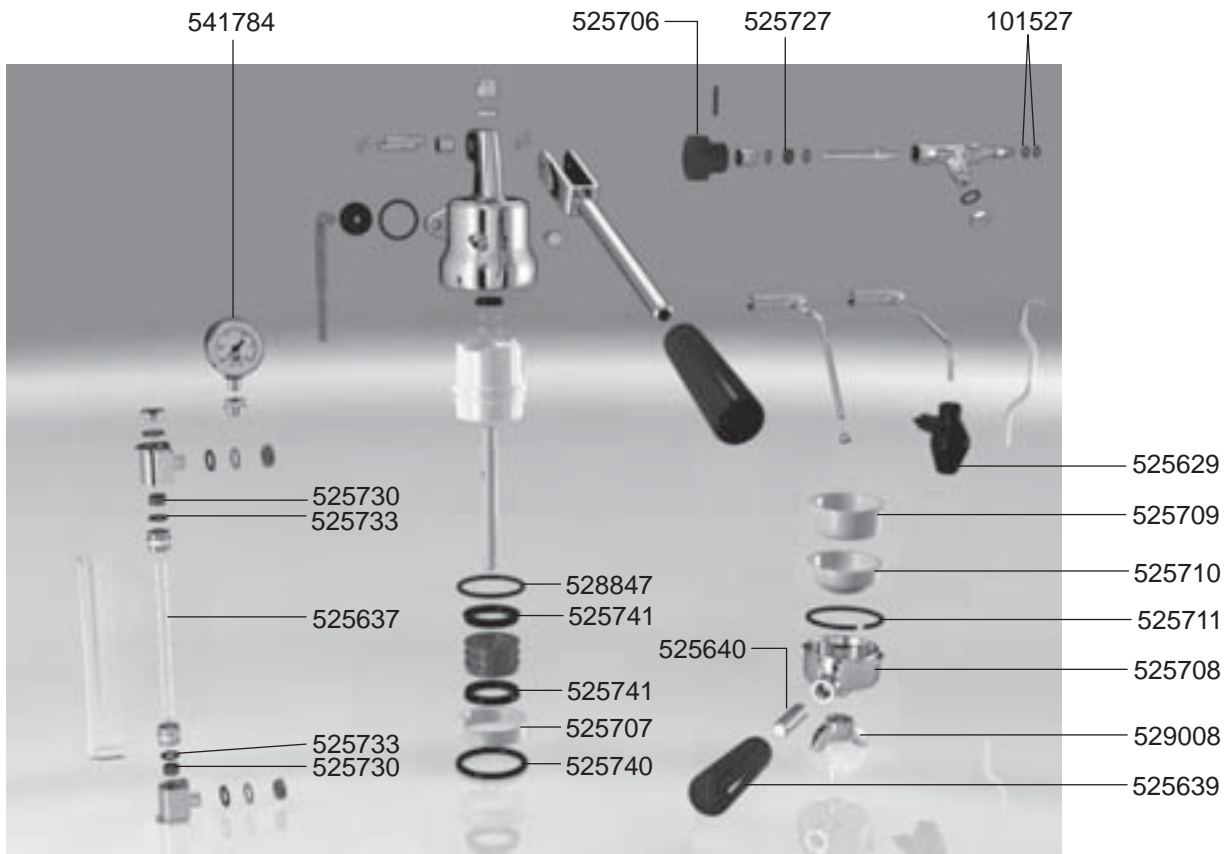


400019
(GICAR REF. 9.1.40.71G)

EUROPICOLA/PROFESSIONAL VARIOUS



EUROPICOLA/PROFESSIONAL VARIOUS



GASTROPARTS.COM

