



GASTROPARTS

Iberital

- [EN]** Coffee machines & grinders
- [DE]** Kaffeemaschinen & Kaffeemühlen
- [ES]** Cafeteras & Molinillos de café
- [FR]** Cafetières & moulins à café
- [IT]** Macchine da caffè & macinacaffè
- [PL]** Ekspresy i młynki do kawy
- [RU]** Кофеварки и кофемолки

✉ gastroparts@gastroparts.com

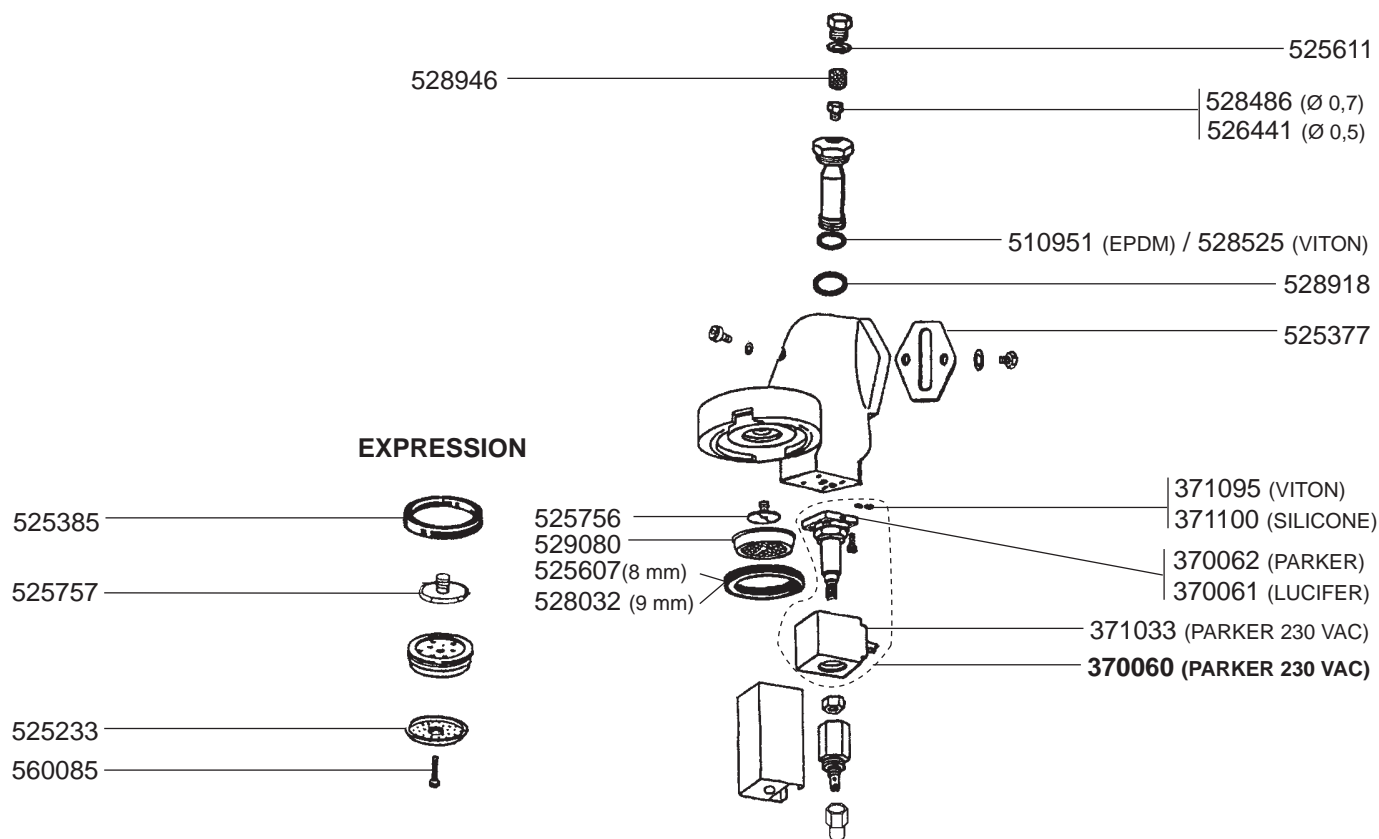
☎ +48 56 657 00 66

📘 fb.com/gastroparts.global

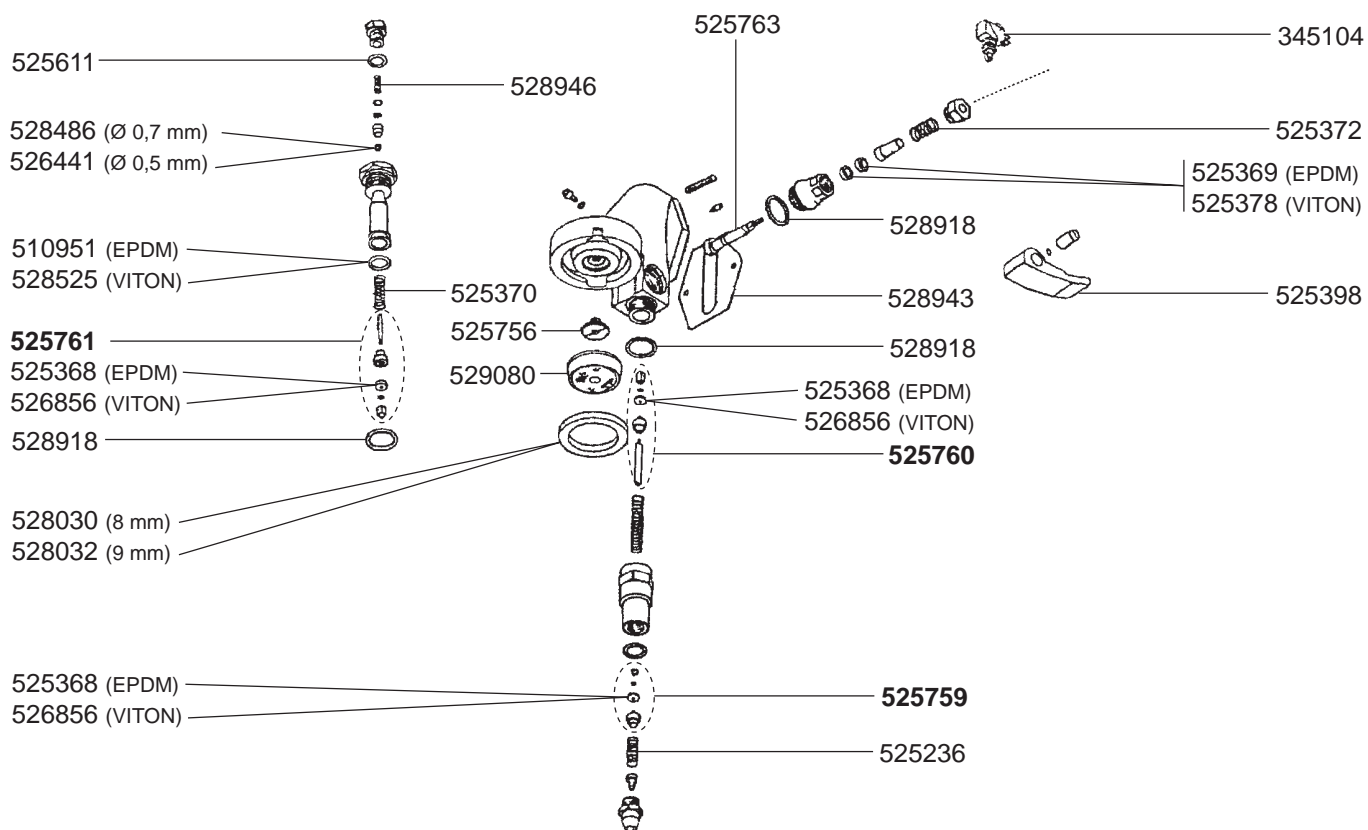
GASTROPARTS.COM



SOLENOID GROUP



MANUAL GROUP



IBERITAL - ESPRESSO MACHINES

1
ESPRESSO MACHINES

FILTER HOLDERS



525230



529045



525997



529012 (6 GR)

529011 (7 GR)



529014 (12 GR)

529013 (14 GR)

529229 (21 GR)



529023



529266 (Ø 1,1 mm)

529265 (Ø 1,2 mm)

529079 (Ø 1,3 mm)

EXPRESSION



525231



529045



525997



529266 (Ø 1,1 mm)

529265 (Ø 1,2 mm)

529079 (Ø 1,3 mm)



525234 (6 GR)

525235 (7 GR)



529030



525232



529063



529001



529003



529004



529007



527634



529894



529161 (ADJUSTABLE)

STEAM/WATER TAPS

525399 (WATER)

525213 (STEAM)

111373

525384

525380

525359

526856

528683

528206

525360

525387

529368

528206

525360

525387

525357 (h = 10,3 mm)

525324 (h = 6 mm)

529368

525397

525389

525357 (h = 10,3 mm)

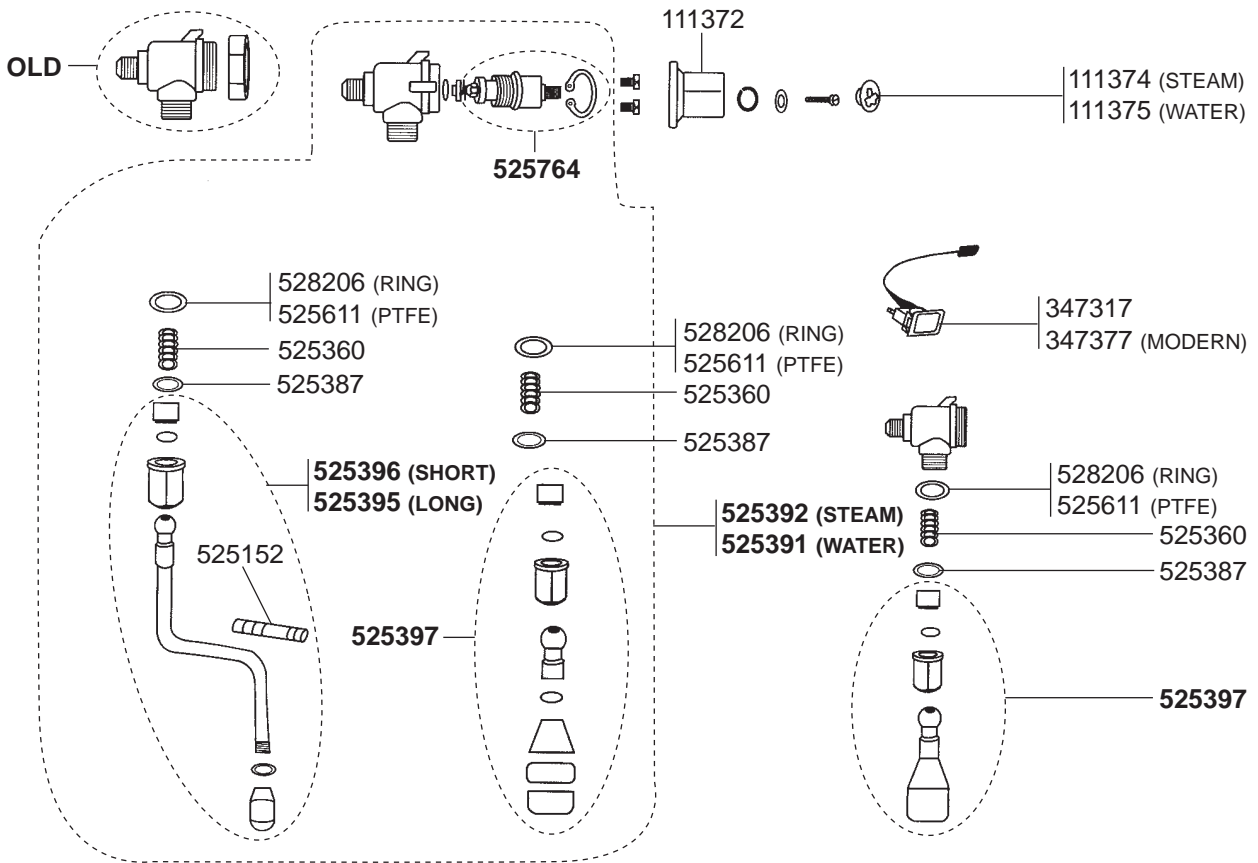
525324 (h = 6 mm)

525396 (L = 210 mm)

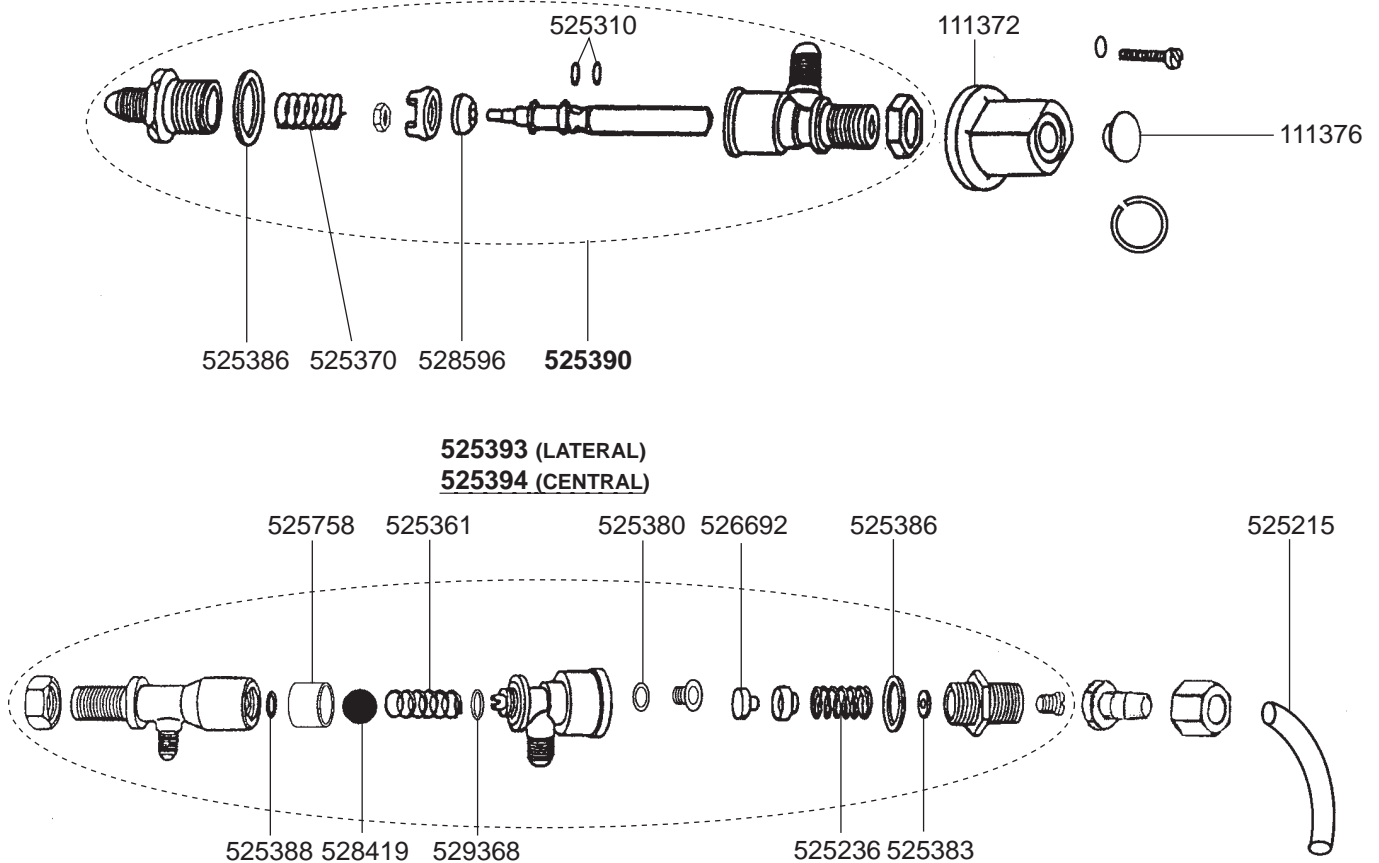
525395 (L = 255 mm)

525152

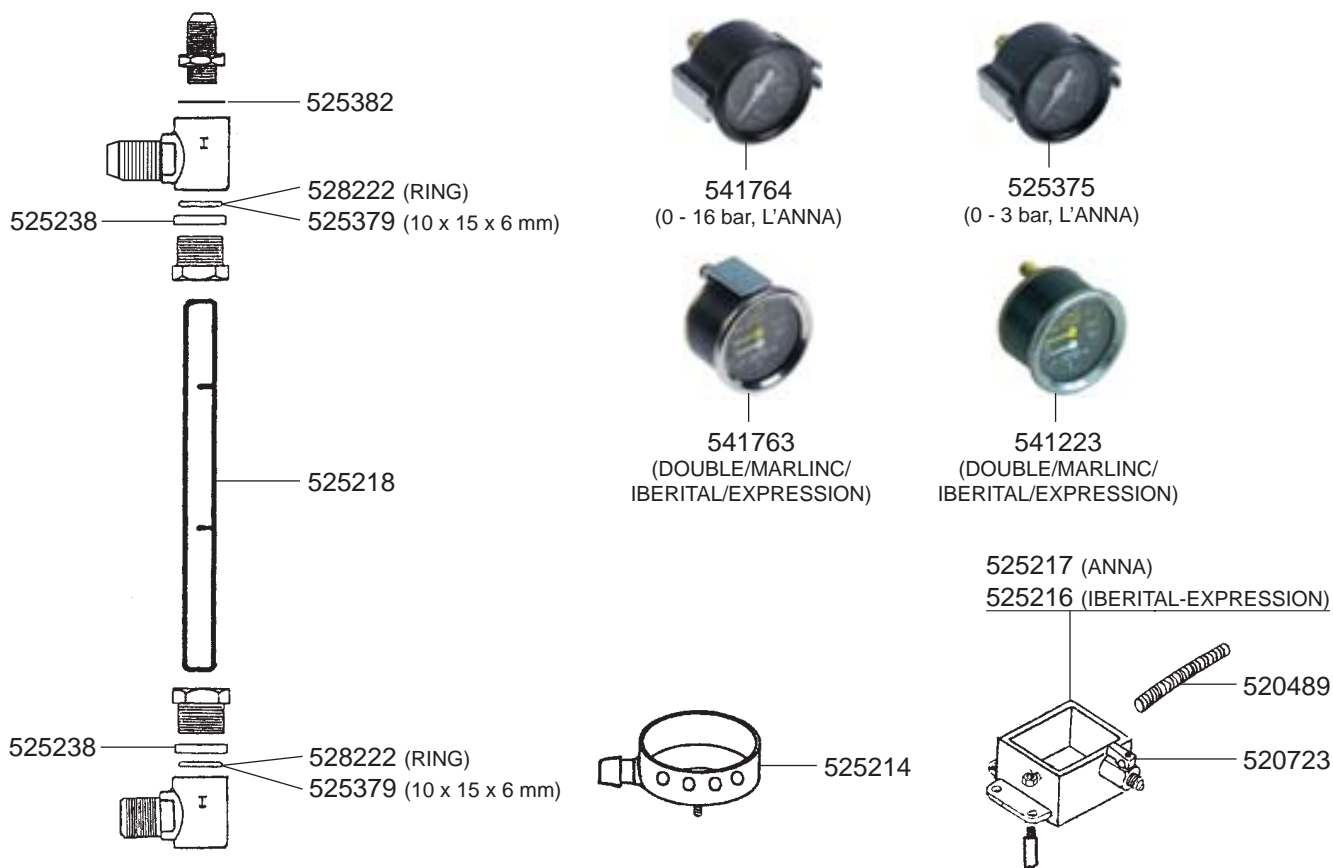
STEAM/WATER TAPS



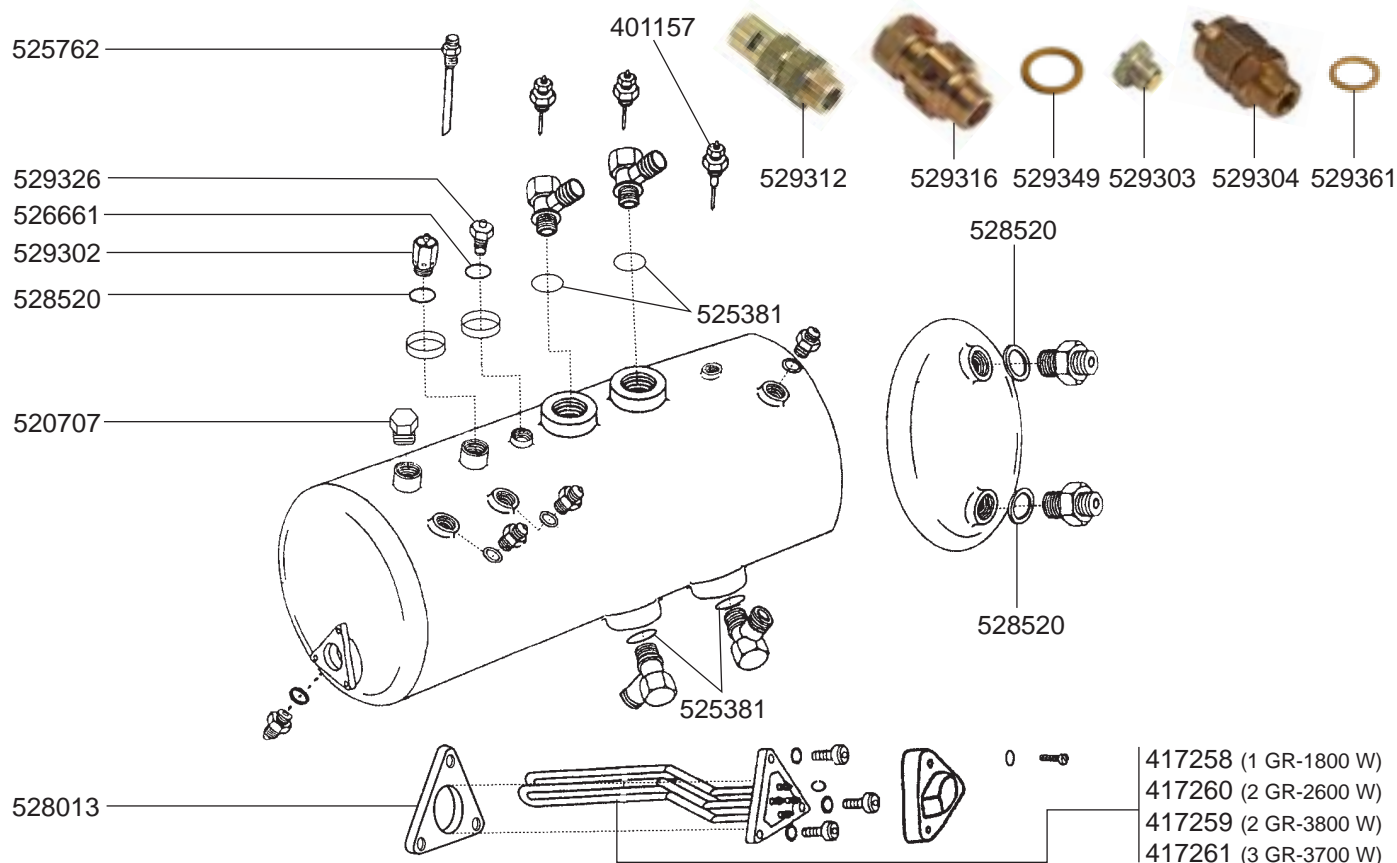
VALVES



LEVEL INDICATOR/MANOMETERS/DRIP TRAY



BOILER VARIOUS



ELECTRICAL COMPONENTS

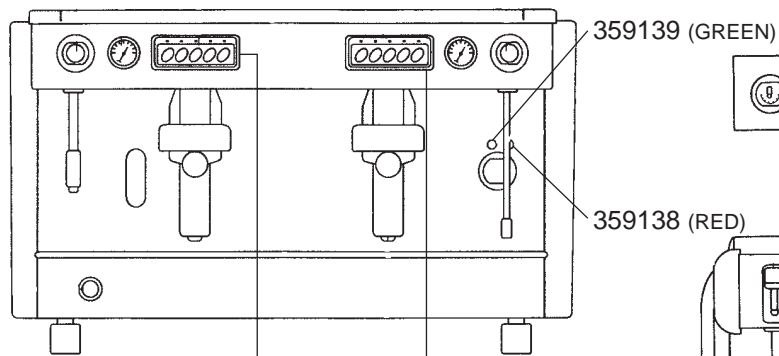
L'ANNA

345151



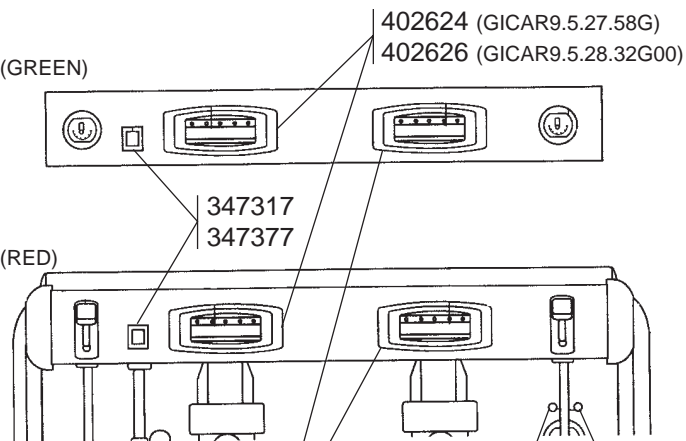
IBERITAL

345151



402636 (GICAR ref.9.5.27.62G)
402630 (GICAR ref.9.5.28.46G00)

402628 (GICAR REF.9.5.27.62G)
402629 (GICAR REF.9.5.28.46G00)



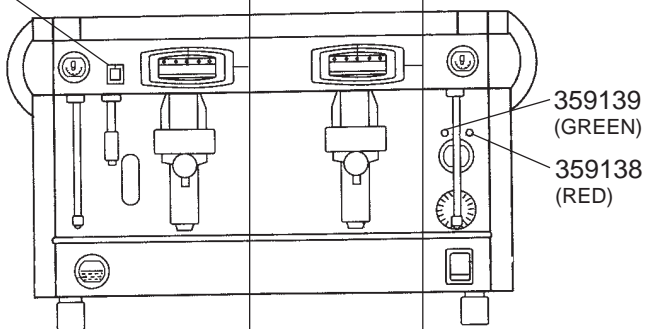
402625 (REF 9.5.27.56G) 359139 359138
402627 (REF 9.5.28.32G00) (GREEN) (RED)

ELECTRICAL COMPONENTS

MARLINC

347317 (OLD)
347377 (MODERN)

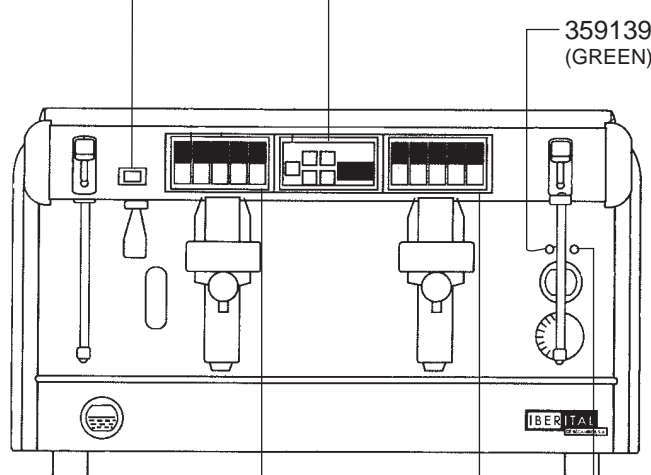
301002



402624 (GICAR REF 9.5.27.58G) 402625 (GICAR REF 9.5.27.56G)
402626 (GICAR REF 9.5.28.32G00) 402627 (GICAR REF 9.5.28.32G00)

EXPRESSION

347317 (OLD) 402633 (GICAR ref.9.5.20.25G)
347377 (MODERN) 402634 (MEMBRANE)



402632 (GICAR ref.9.5.28.54G00) 402631 (GICAR ref.9.5.28.54G00)
525374 (MEMBRANE) 525374 (MEMBRANE)

ELECTRICAL COMPONENTS

EXPRESSION



400521



525376



370598

1 GR PORTABLE



541750



541104



400404
(L = 240 mm)
401363
(L = 110 mm)



499054



520250



402623 (GICAR ref.9.5.37.02G)



400226



380379



402568

ELECTRICAL COMPONENTS VARIOUS



400004



400256



400257



400258



541021
(SIRAI,
30 AMP,
3 POLES)



541724
(SIRAI,
20 AMP,
3 POLES)



541723
(SIRAI,
20 AMP,
2 POLES)



541453
(PARKER)



370057
(PARKER
230 VAC)



370062
(PARKER)



370206
(PARKER
230 VAC-1/8'')



371029
(PARKER
230 VAC)



371090



371095 (VITON)



400509 (RED)
402635 (SILVER)



525212 (IBERITAL)
525373 (ANNA)



380923 (25 A)
380924 (32 A)



380458 (20 A)
380922 (20 A)



400418
(GICAR REF. 9.1.40.23G00)



347379

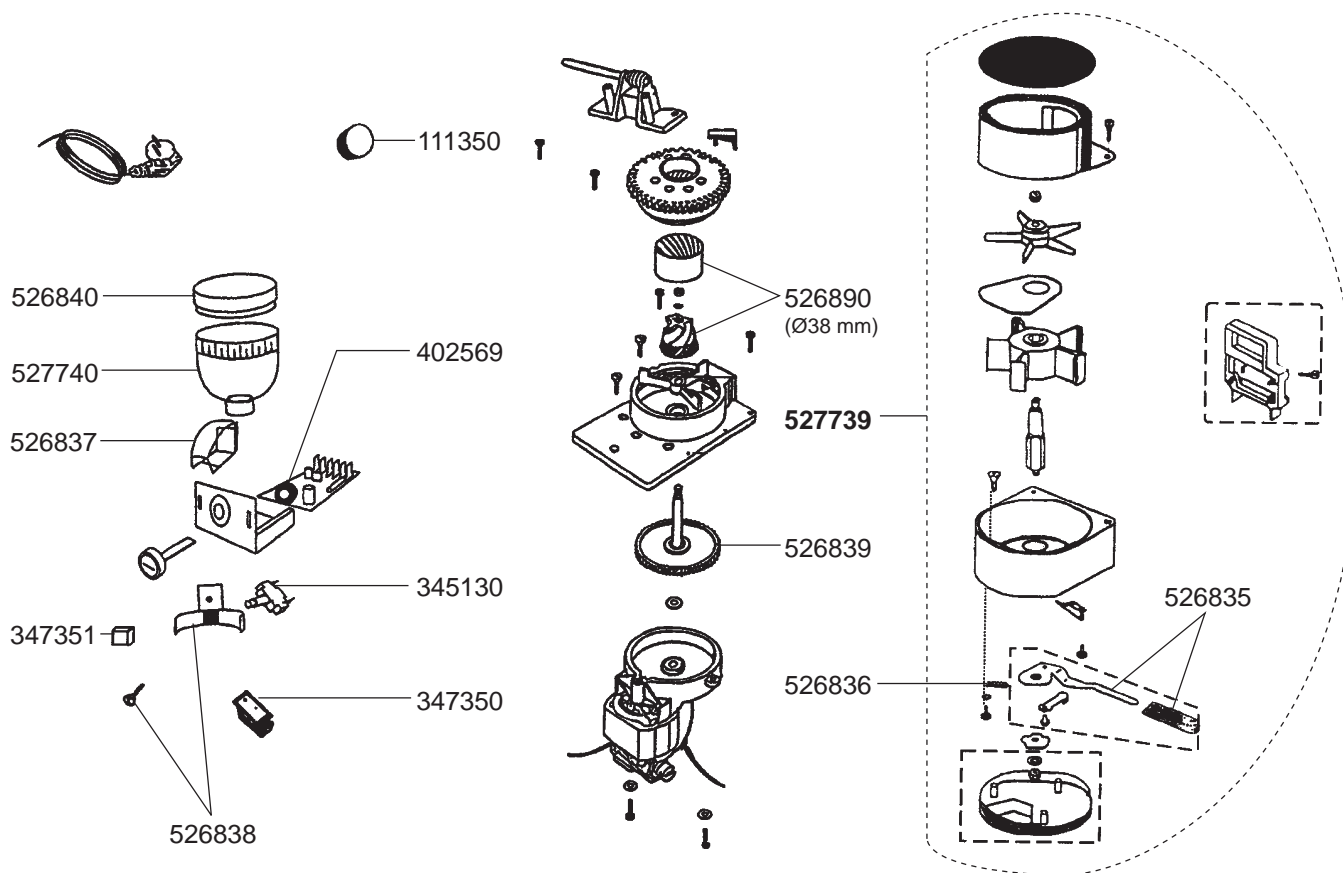


347380 (0-1-2)
347378 (0-1-2-3)



390324 (3 POLES)
375898 (1 POLES)

CHALLENGE



GASTROPARTS.COM

